

Total Solution of Commercial Refrigerators

Foshan Nenwell Import & Export Trading Co., Ltd.

Foshan Nenwell Import Export Trading Co., Ltd.

Address: Rm 601, Bld# 5a Tianan Mansion, Jianping Rd,
Guicheng, Nanhai, Foshan, Guangdong, China

Tel:0086-757-85856069

<http://www.nenwell.com/>



Your Ideal One-Stop Supplier of Commercial Fridges

Nenwell, China tier 1 commercial refrigeration solution provider, with 7+ affiliated factories standing behind us, we are enduring in operating mass production and fast delivery for valued clients across the world. Alongside the decades since China's open policy in 90's, Nenwell took deep root in China commercial refrigeration industry and grew into a total solution provider of commercial refrigeration equipment, such as reach in refrigerator, glass door merchandiser, countertop fridge, back bar fridge, conventional fridges and freezers, and medical purpose refrigerators. Besides these commercial refrigerators, also we are supplying numerous components and fridge production lines. Nenwell Import and Export is our export outlet and the helper in pivoting global supply chain in this field across the world. We are committed to become your ideal one-stop supplier of freezers and coolers.



Nenwell, a Joint of High Quality upon Cost-Efficiency

Deeply rooted in China refrigeration industry for the past three decades, we have developed prominent expertise and leading technology which bring our manufacturing to world-class high quality. Quality and safety standards such as ISO90001, CE, RoHS, REACH, ETL, UL, NSF, CB, SAA and other norms are well met for different product lines. High quality products and efficient inner cost control empowers Nenwell to grow rapidly in the refrigeration field. Your one-stop refrigeration supplier is us as we run comprehensively full field refrigeration equipment, from cooler to freezer, from mini to large, from counter-top to free-standing, from complete units to components, and from products to production lines. We are professional in satisfying your OEM/ ODM and customized orders.

We help Boost Your Brand in Catering and Retailing



We are always one step ahead of the food service and retailing business. Our insights in stylish designs, illuminated visibility, energy saving technology can definitely boost your brand distribution and retailing sales. Remarkable acknowledgements are bestowed to Nenwell through trustworthy cooperations with famous clients home and abroad, such as Qingdao Beer, Tiger Beer, Polar Bear, Nestle', Meiji, Dairy Queen, Arum, Klondike, Cream Bell, Dairy Day, Igloo, Orchard Fresh, Cold Stone, Llaollao, Fruits, Amorino, Galadari and the list extends yearly.



Barrel Cooler



Countertop Chiller



Silm Upright Freezer



Upright Fridge



Cake Showcase



Ice Cream Showcase



Supermarket Merchandiser



Medical Refrigerator

2 ~ 8°C Pharmacy Refrigerator



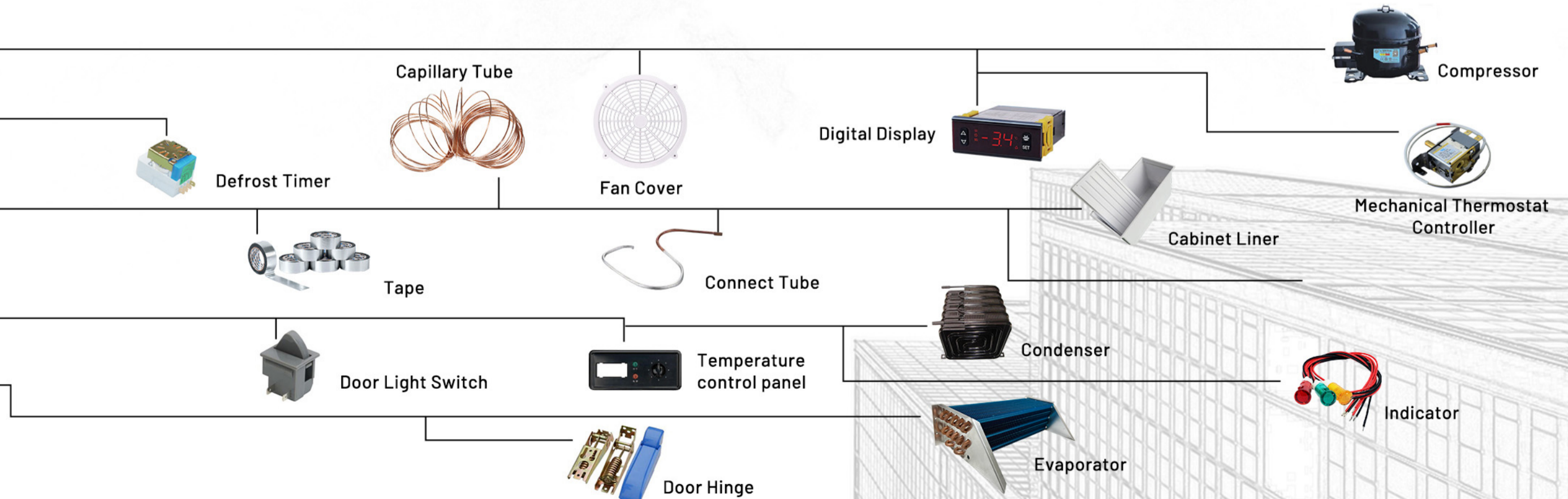
4°C Blood Bank Refrigerator



-40°C Biomedical Freezer



Transport Cooler



CATALOGUE

01

Compressor

08

Candenser&Evaporator

25

Filter&Connect tube&Accumulator

26

Copper tube for capillary tube processed

Compressor



Product Series: F-DF/L-DL/M-DM/Q-DQ/W-DW/X-RL

Electrical Motor Types

- RSIR** · Start– Inductive Run: no start capacitor; no run capacitor
- RSCR** · Resistive start – Capacitive Run: no start capacitor; run capacitor is needed to improve
· Similar to RSIR motor,uses a matching starting capacitor connected in series with the
- CSIR** · Capacitive Start – Inductive Run: no run capacitor; start capacitor is needed to improve
· Similar to RSIR motor,uses a matching starting capacitor connected in series with the
- CSR** · Capacitive Start and Run – CSR version with capacitive run and start windings
· Similar to PSC motor type,but there is a starting capacitor in series in the starting

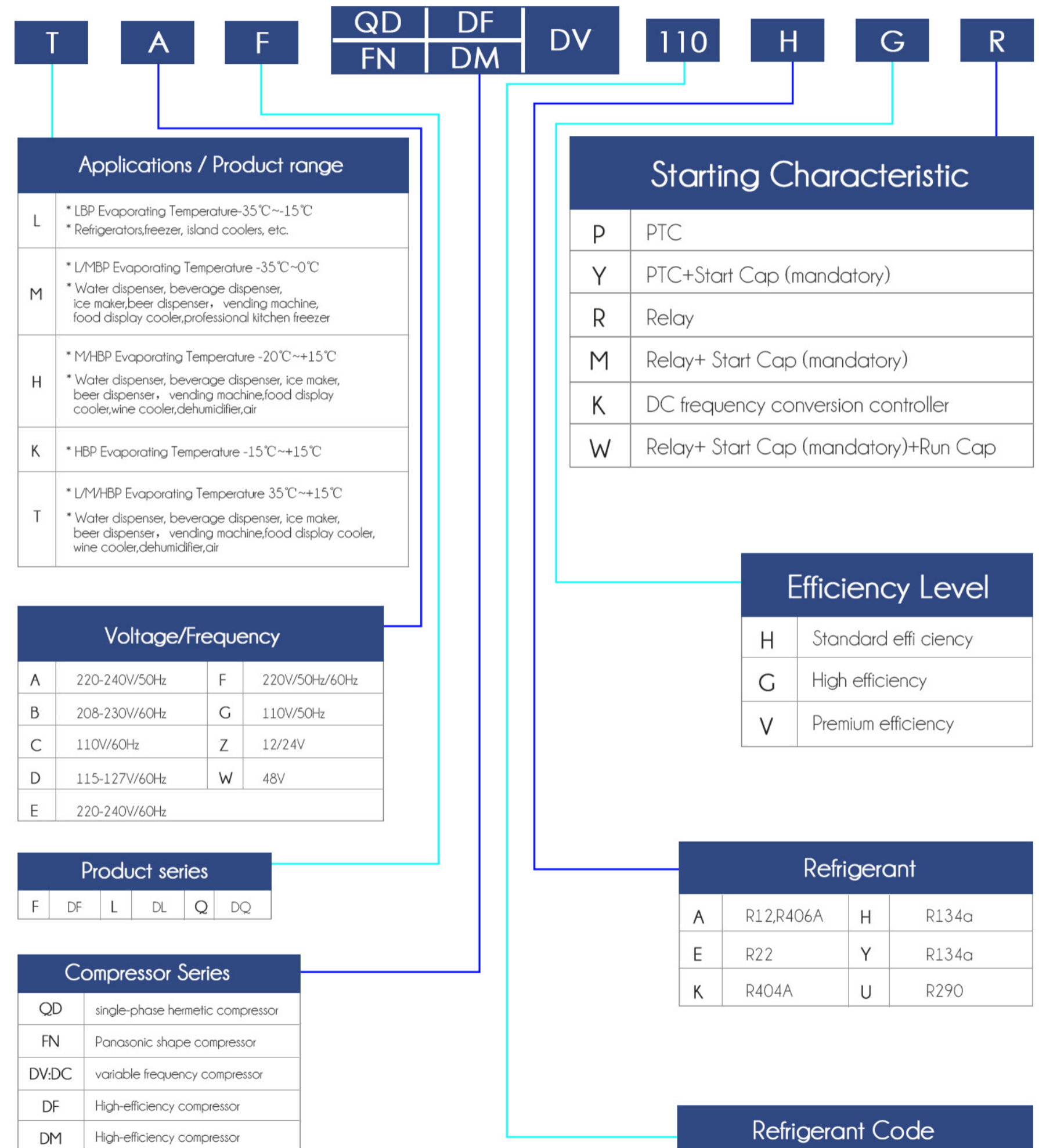
Electrical Motor Types

- LST** · low starting torque:LBP/MBP/HBP/AC applications with RSIR/RSCR/PSC electric motors
· Appropriate for systems with a capillary tube expansion type device and equalized pressures on start up
- HST** · High starting torque:LBP/MBP/HBP applications with CSIR-CSR electric motors.Appropriate for systems with expansion valve or capillary tube expansion type device with disequalized pressures on start up

Cooling Type

- Static** · Compressors approved for static cooling are those that don't allow operation of a fan motos associated with the condenser
- Fan** · Compressors approved for forced cooling are those that require the operationof a fan motor associated with the condenser
- Static / Fan** · Compressors approved for static and forced cooling are those which mayor may not be used with a fan motor associated with the condenser

NOMENCLATURE



Product Parameters

QD Series Commercial Refrigeration Compressor L/MBP (220V-240V~50Hz)

| Product Series | Model | Cylinder Volume | Commercial Nominal Power | Motor Type | Cooling Type | Cooling Capacity ASHRAE 54.4°C (W) | | | | | | | | | | COP W/W | | Input Power(W) | | Oil Charge Volume(ml) |
|----------------|-------------|-----------------|--------------------------|------------|--------------|------------------------------------|-------|-------|---------|-------|-------|-------|--------|------|------|---------|--------|----------------|--------|-----------------------|
| | | | | | | -35°C | -30°C | -25°C | -23.3°C | -20°C | -15°C | -10°C | -6.7°C | -5°C | 0°C | -23.3°C | -6.7°C | -23.3°C | -6.7°C | |
| DF | MAFQD30UHP | 3.00 | 1/8 | RSIR | S | 105 | 95 | 120 | 135 | 155 | 180 | 210 | 235 | 260 | 295 | 1.25 | 1.75 | 108 | 134 | 180 |
| | MAFQD35UHP | 3.50 | 1/6 | RSIR | S | 96 | 110 | 145 | 160 | 185 | 215 | 250 | 280 | 310 | 380 | 1.25 | 1.75 | 128 | 160 | 180 |
| | MAFQD43UHP | 4.30 | 1/5 | RSIR | S | 120 | 140 | 180 | 200 | 230 | 270 | 315 | 360 | 385 | 435 | 1.30 | 1.80 | 153 | 195 | 180 |
| | MAFQD52UHP | 5.20 | 1/5 | RSIR | S | 135 | 160 | 205 | 230 | 265 | 310 | 350 | 390 | 430 | 490 | 1.30 | 1.80 | 177 | 216 | 180 |
| | MAFQD59UHP | 6.20 | 1/5 | RSIR | S | 158 | 190 | 248 | 275 | 310 | 370 | 425 | 475 | 525 | 590 | 1.30 | 1.80 | 212 | 263 | 180 |
| DL | MALQD59UHR | 5.90 | 1/5+ | RSIR | S | 158 | 190 | 248 | 275 | 310 | 370 | 425 | 475 | 525 | 590 | 1.45 | 2.00 | 183 | 238 | 220 |
| | MALQD65UHR | 6.50 | 1/4 | RSIR | S | 175 | 205 | 265 | 295 | 335 | 395 | 455 | 510 | 560 | 635 | 1.45 | 2.00 | 196 | 255 | 220 |
| | MALQD75UHM | 7.50 | 1/4+ | CSIR | S/F | 205 | 235 | 310 | 345 | 390 | 430 | 530 | 590 | 655 | 740 | 1.50 | 2.05 | 230 | 288 | 220 |
| DQ | MAQQD91UHM | 9.10 | 3/8 | CSIR | F | 240 | 285 | 365 | 410 | 470 | 550 | 630 | 695 | 765 | 870 | 1.45 | 2.00 | 273 | 348 | 250 |
| | MAQQD110UHM | 11.10 | 3/8+ | CSIR | F | 295 | 345 | 435 | 495 | 565 | 660 | 770 | 860 | 940 | 1050 | 1.45 | 2.00 | 330 | 430 | 250 |
| | MAQQD120UHM | 12.10 | 3/5 | CSIR | F | 325 | 385 | 480 | 550 | 630 | 730 | 855 | 955 | 1040 | 1160 | 1.50 | 2.00 | 366 | 478 | 250 |
| | MAQQD142UHW | 14.20 | 1/2 | CSCR | F | 380 | 450 | 560 | 645 | 740 | 855 | 1000 | 1120 | 1120 | 1360 | 1.50 | 2.00 | 430 | 560 | 250 |
| | MAQQD158UHW | 15.80 | 1/2+ | CSCR | F | 410 | 490 | 610 | 700 | 800 | 930 | 1090 | 1215 | 1320 | 1470 | 1.50 | 2.00 | 467 | 608 | 250 |

QD Series Commercial Refrigeration Compressor L/MBP (208V-230V~60Hz)

| Product Series | Model | Cylinder Volume | Commercial Nominal Power | Motor Type | Cooling Type | Cooling Capacity ASHRAE 54.4°C (W) | | | | | | | | | | COP W/W | | Input Power(W) | | Oil Charge Volume(ml) |
|----------------|-------------|-----------------|--------------------------|------------|--------------|------------------------------------|-------|-------|---------|-------|-------|-------|--------|------|------|---------|--------|----------------|--------|-----------------------|
| | | | | | | -35°C | -30°C | -25°C | -23.3°C | -20°C | -15°C | -10°C | -6.7°C | -5°C | 0°C | -23.3°C | -6.7°C | -23.3°C | -6.7°C | |
| DF | MBFQD30UHM | 3.00 | 1/6 | CSIR | F | 90 | 108 | 142 | 158 | 180 | 210 | 245 | 270 | 300 | 335 | 1.24 | 1.70 | 127 | 159 | 180 |
| | MBFQD35UHM | 3.50 | 1/5 | CSIR | F | 106 | 127 | 168 | 188 | 216 | 250 | 290 | 320 | 350 | 400 | 1.24 | 1.70 | 152 | 188 | 180 |
| | MBFQD43UHM | 4.30 | 1/4 | CSIR | F | 140 | 165 | 210 | 235 | 270 | 320 | 370 | 410 | 450 | 510 | 1.29 | 1.75 | 182 | 234 | 180 |
| | MBFQD52UHM | 5.20 | 1/4+ | CSIR | F | 155 | 185 | 240 | 265 | 305 | 360 | 410 | 460 | 510 | 580 | 1.29 | 1.75 | 205 | 263 | 180 |
| DL | MBLQD59UHM | 5.90 | 1/4+ | CSIR | F | 175 | 205 | 265 | 295 | 340 | 400 | 460 | 505 | 555 | 635 | 1.44 | 1.95 | 205 | 259 | 220 |
| | MBLQD65UHM | 6.50 | 1/3 | CSIR | F | 205 | 240 | 305 | 340 | 390 | 460 | 540 | 600 | 660 | 750 | 1.45 | 2.00 | 234 | 300 | 220 |
| | MBLQD75UHM | 7.60 | 1/3 | CSIR | F | 220 | 260 | 330 | 370 | 425 | 460 | 585 | 650 | 715 | 810 | 1.50 | 2.05 | 247 | 317 | 250 |
| DQ | MBQQD91UHM | 9.10 | 3/8 | CSIR | F | 275 | 320 | 415 | 460 | 530 | 635 | 720 | 800 | 880 | 1000 | 1.45 | 2.00 | 317 | 400 | 250 |
| | MBQQD110UHM | 11.10 | 1/2 | CSIR | F | 330 | 385 | 495 | 550 | 630 | 760 | 865 | 960 | 1055 | 1200 | 1.45 | 2.00 | 379 | 480 | 250 |
| | MBQQD120UHW | 12.10 | 1/2+ | CSCR | F | 360 | 420 | 540 | 600 | 685 | 830 | 945 | 1050 | 1150 | 1300 | 1.60 | 2.20 | 375 | 477 | 250 |

QD Series Commercial Refrigeration Compressor L/MBP (115V-127V~60Hz)

| Product Series | Model | Cylinder Volume | Commercial Nominal Power | Motor Type | Cooling Type | Cooling Capacity ASHRAE 54.4°C (W) | | | | | | | | | | COP W/W | | Input Power(W) | | Oil Charge Volume(ml) |
|----------------|-------------|-----------------|--------------------------|------------|--------------|------------------------------------|-------|-------|---------|-------|-------|-------|--------|------|------|---------|--------|----------------|--------|-----------------------|
| | | | | | | -35°C | -30°C | -25°C | -23.3°C | -20°C | -15°C | -10°C | -6.7°C | -5°C | 0°C | -23.3°C | -6.7°C | -23.3°C | -6.7°C | |
| DF | MDFQD30UHM | 3.00 | 1/6 | CSIR | F | 95 | 110 | 145 | 160 | 185 | 215 | 250 | 280 | 310 | 350 | 1.25 | 1.75 | 128 | 160 | 180 |
| | MDFQD35UHM | 3.50 | 1/5 | CSIR | F | 110 | 130 | 170 | 190 | 220 | 255 | 300 | 330 | 360 | 410 | 1.25 | 1.75 | 152 | 188 | 180 |
| | MDFQD43UHM | 4.30 | 1/4 | CSIR | F | 145 | 170 | 215 | 240 | 275 | 325 | 380 | 420 | 460 | 525 | 1.30 | 1.80 | 185 | 233 | 180 |
| | MDFQD52UHM | 5.20 | 1/4+ | CSIR | F | 160 | 190 | 245 | 270 | 310 | 365 | 420 | 470 | 515 | 590 | 1.30 | 1.80 | 208 | 261 | 180 |
| DL | MDLQD59UHM | 5.90 | 1/4+ | CSIR | F | 180 | 210 | 270 | 300 | 345 | 405 | 470 | 520 | 570 | 650 | 1.45 | 2.00 | 207 | 260 | 220 |
| | MDLQD65UHM | 6.50 | 1/3 | CSIR | F | 205 | 240 | 305 | 340 | 390 | 460 | 540 | 600 | 660 | 750 | 1.45 | 2.00 | 234 | 300 | 220 |
| | MDLQD75UHM | 7.60 | 1/3 | CSIR | F | 220 | 260 | 330 | 370 | 425 | 460 | 585 | 650 | 715 | 810 | 1.50 | 2.05 | 247 | 317 | 250 |
| DQ | MDQQD91UHM | 9.10 | 3/8 | CSIR | F | 275 | 320 | 415 | 460 | 530 | 635 | 720 | 800 | 880 | 1000 | 1.45 | 2.00 | 317 | 400 | 250 |
| | MDQQD110UHM | 11.10 | 1/2 | CSIR | F | 330 | 385 | 495 | 550 | 630 | 760 | 865 | 960 | 1055 | 1200 | 1.45 | 2.00 | 379 | 480 | 250 |
| | MDQQD120UHW | 12.10 | 1/2+ | CSCR | F | 360 | 420 | 540 | 600 | 685 | 830 | 945 | 1050 | 1150 | 1300 | 1.60 | 2.20 | 375 | 477 | 250 |

Product Parameters

QD Series Commercial Refrigeration Compressor L/M/HBP (220V-240V~50Hz)

| Product Series | Model | Cylinder Volume | Commercial Nominal Power | Motor Type | Cooling Type | Cooling Capacity ASHRAE 54.4°C (W) | | | | | | | | | | | | COP W/W | | | Input Power(W) | | | Oil Charge Volume(ml) | | |
|----------------|-------------|-----------------|--------------------------|------------|--------------|------------------------------------|-------|-------|---------|-------|-------|-------|--------|------|------|------|-------|---------|------|---------|----------------|-------|---------|-----------------------|--------|-------|
| | | | | | | -35°C | -30°C | -25°C | -23.3°C | -20°C | -15°C | -10°C | -6.7°C | -5°C | 0°C | 5°C | 7.2°C | 10°C | 15°C | -23.3°C | -6.7°C | 7.2°C | -23.3°C | | -6.7°C | 7.2°C |
| DF | TAFQD30UHM | 3.00 | 1/8 | CSIR | F | 80 | 90 | 115 | 130 | 150 | 170 | 200 | 230 | 250 | 280 | 350 | 390 | 430 | 510 | 1.25 | 1.70 | 2.50 | 108 | 135 | 156 | 180 |
| | TAFQD35UHM | 3.50 | 1/6 | CSIR | F | 90 | 105 | 135 | 150 | 170 | 195 | 225 | 270 | 300 | 350 | 410 | 460 | 505 | 600 | 1.25 | 1.70 | 2.50 | 115 | 159 | 184 | 180 |
| | TAFQD43UHM | 4.30 | 1/5 | CSIR | F | 110 | 130 | 170 | 190 | 220 | 245 | 285 | 335 | 370 | 435 | 515 | 570 | 630 | 750 | 1.30 | 1.70 | 2.50 | 146 | 197 | 228 | 180 |
| | TAFQD52UHM | 4.90 | 1/5 | CSIR | F | 130 | 150 | 200 | 220 | 250 | 285 | 330 | 370 | 405 | 480 | 630 | 700 | 770 | 900 | 1.30 | 1.70 | 2.50 | 169 | 218 | 280 | 180 |
| DL | TALQD59UHM | 5.90 | 1/5+ | CSIR | F | 145 | 170 | 220 | 245 | 280 | 320 | 365 | 420 | 460 | 545 | 720 | 800 | 880 | 1050 | 1.45 | 1.80 | 2.60 | 163 | 233 | 308 | 220 |
| | TALQD65UHM | 6.20 | 1/4 | CSIR | F | 160 | 190 | 245 | 270 | 310 | 350 | 405 | 470 | 515 | 610 | 810 | 900 | 990 | 1150 | 1.45 | 1.80 | 2.60 | 180 | 261 | 346 | 220 |
| | TALQD75UHM | 7.20 | 1/4+ | CSIR | F | 170 | 200 | 260 | 290 | 335 | 375 | 435 | 520 | 570 | 675 | 900 | 1000 | 1100 | 1300 | 1.50 | 1.80 | 2.60 | 193 | 289 | 385 | 220 |
| DQ | TAQQD91UHM | 8.80 | 3/8 | CSIR | F | 220 | 260 | 335 | 370 | 405 | 480 | 555 | 635 | 670 | 820 | 1130 | 1250 | 1375 | 1630 | 1.30 | 1.70 | 2.50 | 285 | 374 | 500 | 250 |
| | TAQQD110UHM | 10.60 | 3/8+ | CSIR | F | 260 | 305 | 390 | 435 | 500 | 565 | 650 | 760 | 835 | 980 | 1300 | 1450 | 1600 | 1890 | 1.30 | 1.70 | 2.50 | 334 | 447 | 580 | 250 |
| | TAQQD120UHM | 11.60 | 5/8 | CSIR | F | 288 | 335 | 435 | 480 | 550 | 620 | 720 | 830 | 910 | 1080 | 1520 | 1700 | 1880 | 2210 | 1.30 | 1.70 | 2.50 | 369 | 488 | 680 | 250 |

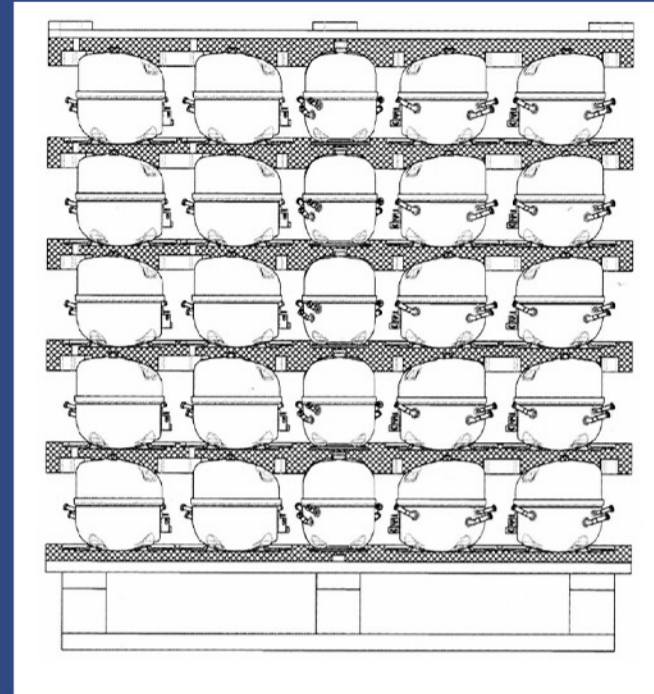
QD Series Commercial Refrigeration Compressor L/M/HBP (208V-230V~60Hz)

| Product Series | Model | Cylinder Volume | Commercial Nominal Power | Motor Type | Cooling Type | Cooling Capacity ASHRAE 54.4°C (W) | | | | | | | | | | | | COP W/W | | | Input Power(W) | | | Oil Charge Volume(ml) | | |
|----------------|-------------|-----------------|--------------------------|------------|--------------|------------------------------------|-------|-------|---------|-------|-------|-------|--------|------|------|------|-------|---------|------|---------|----------------|-------|---------|-----------------------|--------|-------|
| | | | | | | -35°C | -30°C | -25°C | -23.3°C | -20°C | -15°C | -10°C | -6.7°C | -5°C | 0°C | 5°C | 7.2°C | 10°C | 15°C | -23.3°C | -6.7°C | 7.2°C | -23.3°C | | -6.7°C | 7.2°C |
| DF | TBFQD30UHM | 3.00 | 1/6 | CSIR | F | 95 | 105 | 135 | 155 | 180 | 200 | 240 | 275 | 300 | 335 | 420 | 465 | 515 | 610 | 1.25 | 1.70 | 2.50 | 119 | 212 | 186 | 180 |
| | TBFQD35UHM | 3.50 | 1/5 | CSIR | F | 105 | 125 | 160 | 180 | 205 | 230 | 270 | 320 | 360 | 420 | 490 | 550 | 606 | 720 | 1.25 | 1.70 | 2.50 | 138 | 188 | 220 | 180 |
| | TBFQD43UHM | 4.30 | 1/4 | CSIR | F | 130 | 156 | 205 | 230 | 260 | 290 | 340 | 400 | 445 | 520 | 615 | 680 | 755 | 900 | 1.30 | 1.70 | 2.50 | 177 | 235 | 272 | 180 |
| | TBFQD52UHM | 4.90 | 1/4+ | CSIR | F | 155 | 180 | 240 | 260 | 300 | 340 | 390 | 445 | 485 | 570 | 750 | 840 | 920 | 1080 | 1.30 | 1.70 | 2.50 | 200 | 262 | 336 | 180 |
| DL | TBLQD59UHM | 5.90 | 1/4+ | CSIR | F | 175 | 205 | 265 | 295 | 340 | 400 | 460 | 505 | 555 | 635 | 860 | 960 | 1050 | 1260 | 1.45 | 1.80 | 2.60 | 197 | 281 | 369 | 220 |
| | TBLQD65UHM | 6.20 | 1/3 | CSIR | F | 190 | 225 | 290 | 320 | 370 | 420 | 480 | 560 | 615 | 730 | 970 | 1080 | 1190 | 1380 | 1.45 | 1.80 | 2.60 | 213 | 311 | 415 | 220 |
| | TBLQD75UHM | 7.20 | 1/3 | CSIR | F | 205 | 240 | 310 | 350 | 400 | 450 | 520 | 620 | 680 | 810 | 1080 | 1200 | 1320 | 1560 | 1.30 | 1.70 | 2.50 | 269 | 365 | 480 | 250 |
| DQ | TBQQD91UHM | 8.80 | 3/8 | CSIR | F | 265 | 310 | 400 | 440 | 485 | 575 | 666 | 760 | 800 | 980 | 1350 | 1500 | 1650 | 1950 | 1.30 | 1.70 | 2.50 | 338 | 447 | 600 | 250 |
| | TBQQD110UHM | 10.60 | 1/2 | CSIR | F | 310 | 366 | 470 | 520 | 600 | 675 | 780 | 910 | 1000 | 1175 | 1560 | 1740 | 1920 | 2000 | 1.30 | 1.70 | 2.50 | 400 | 535 | 696 | 250 |
| | TBQQD120UHM | 11.60 | 1/2+ | CSCR | F | 345 | 400 | 520 | 575 | 660 | 745 | 860 | 1000 | 1090 | 1300 | 1820 | 2040 | 2255 | 2650 | 1.30 | 1.70 | 2.50 | 442 | 588 | 816 | 250 |

QD Series Commercial Refrigeration Compressor L/M/HBP (115V-127V~60Hz)

| Product Series | Model | Cylinder Volume | Commercial Nominal Power | Motor Type | Cooling Type | Cooling Capacity ASHRAE 54.4°C (W) | | | | | | | | | | | | COP W/W | | | Input Power(W) | | | Oil Charge Volume(ml) | | |
|----------------|-------------|-----------------|--------------------------|------------|--------------|------------------------------------|-------|-------|---------|-------|-------|-------|--------|------|------|------|-------|---------|------|---------|----------------|-------|---------|-----------------------|--------|-------|
| | | | | | | -35°C | -30°C | -25°C | -23.3°C | -20°C | -15°C | -10°C | -6.7°C | -5°C | 0°C | 5°C | 7.2°C | 10°C | 15°C | -23.3°C | -6.7°C | 7.2°C | -23.3°C | | -6.7°C | 7.2°C |
| DF | TDFQD30UHM | 3.00 | 1/6 | CSIR | F | 95 | 105 | 135 | 155 | 180 | 200 | 240 | 275 | 300 | 335 | 420 | 465 | 515 | 610 | 1.25 | 1.70 | 2.50 | 119 | 212 | 186 | 180 |
| | TDFQD35UHM | 3.50 | 1/5 | CSIR | F | 105 | 125 | 160 | 180 | 205 | 230 | 270 | 320 | 360 | 420 | 490 | 550 | 606 | 720 | 1.25 | 1.70 | 2.50 | 138 | 188 | 220 | 180 |
| | TDFQD43UHM | 4.30 | 1/4 | CSIR | F | 130 | 156 | 205 | 230 | 260 | 290 | 340 | 400 | 445 | 520 | 615 | 680 | 755 | 900 | 1.30 | 1.70 | 2.50 | 177 | 235 | 272 | 180 |
| | TDFQD52UHM | 4.90 | 1/4+ | CSIR | F | 155 | 180 | 240 | 260 | 300 | 340 | 390 | 445 | 485 | 570 | 750 | 840 | 920 | 1080 | 1.30 | 1.70 | 2.50 | 200 | 262 | 336 | 180 |
| DL | TDLQD59UHM | 5.90 | 1/4+ | CSIR | F | 175 | 205 | 265 | 295 | 340 | 400 | 460 | 505 | 555 | 635 | 860 | 960 | 1050 | 1260 | 1.45 | 1.80 | 2.60 | 197 | 281 | 369 | 220 |
| | TDLQD65UHM | 6.20 | 1/3 | CSIR | F | 190 | 225 | 290 | 320 | 370 | 420 | 480 | 560 | 615 | 730 | 970 | 1080 | 1190 | 1380 | 1.45 | 1.80 | 2.60 | 213 | 311 | 415 | 220 |
| | TDLQD75UHM | 7.20 | 1/3 | CSIR | F | 205 | 240 | 310 | 350 | 400 | 450 | 520 | 620 | 680 | 810 | 1080 | 1200 | 1320 | 1560 | 1.30 | 1.70 | 2.50 | 269 | 365 | 480 | 250 |
| DQ | TDQQD91UHM | 8.80 | 3/8 | CSIR | F | 265 | 310 | 400 | 440 | 485 | 575 | 666 | 760 | 800 | 980 | 1350 | 1500 | 1650 | 1950 | 1.30 | 1.70 | 2.50 | 338 | 447 | 600 | 250 |
| | TDQQD110UHM | 10.60 | 1/2 | CSCR | F | 310 | 366 | 470 | 520 | 600 | 675 | 780 | 910 | 1000 | 1175 | 1560 | 1740 | 1920 | 2000 | 1.30 | 1.70 | 2.50 | 400 | 535 | 696 | 250 |
| | TDQQD120UHM | 11.60 | 1/2+ | CSCR | F | 345 | 400 | 520 | 575 | 660 | 745 | 860 | 1000 | 1090 | 1300 | 1820 | 2040 | 2255 | 2650 | 1.30 | 1.70 | 2.50 | 442 | 588 | 816 | 250 |

Packing Details for Carton with Plywood Pallet

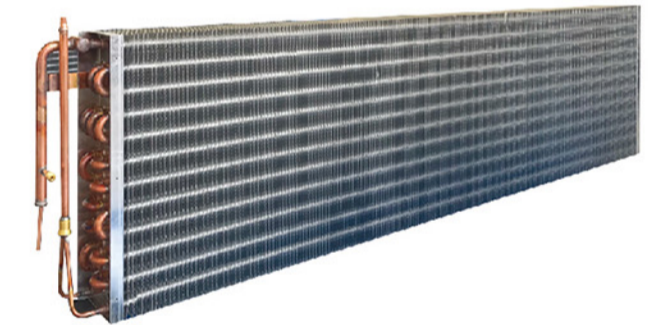
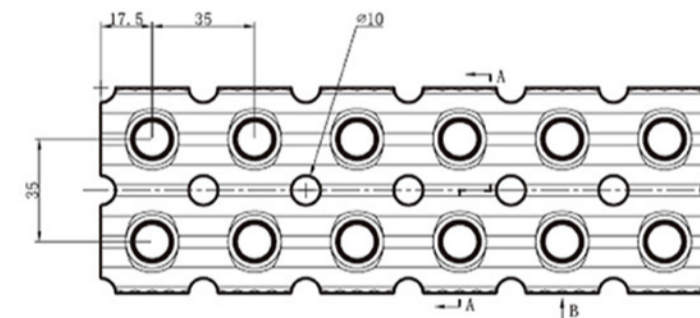
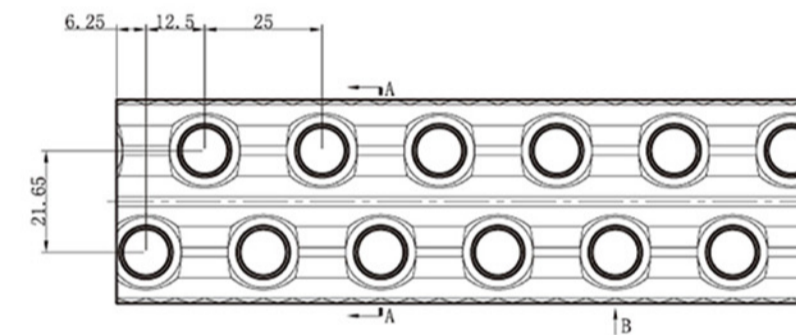
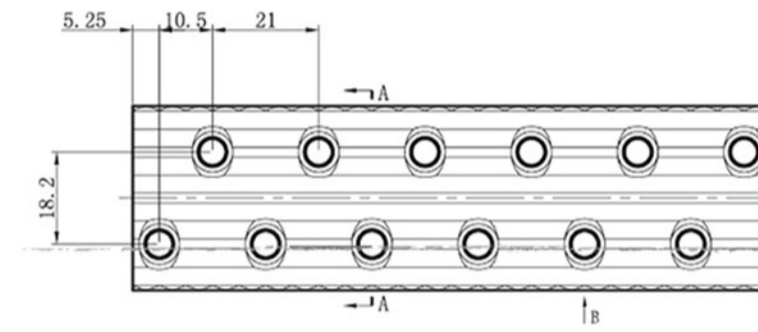


| Product Series | DF | DL | DQ |
|------------------------|------------------|-------------------|-------------------|
| Packing Qty Per Pallet | 100/125 | 100/125 | 80/100 |
| N.W./Pcs | 6.7-7.0 | 8.6-9.1 | 9.6-10.3 |
| G.W./Pcs | 7.0-7.3 | 8.9-9.4 | 9.9-10.6 |
| Carton Size(cm) | 25.5*18*20cm | 25.5*18*23cm | 28.8*19.8*22.5cm |
| Pallet Size(cm) | 110*110*95/110cm | 110*110*107/129cm | 110*110*105/127cm |
| Packing Qty Per Layer | 25 | 25 | 20 |



Finned Heat Exchanger

Finned Heat Exchanger with Copper Tube and Aluminum Fin

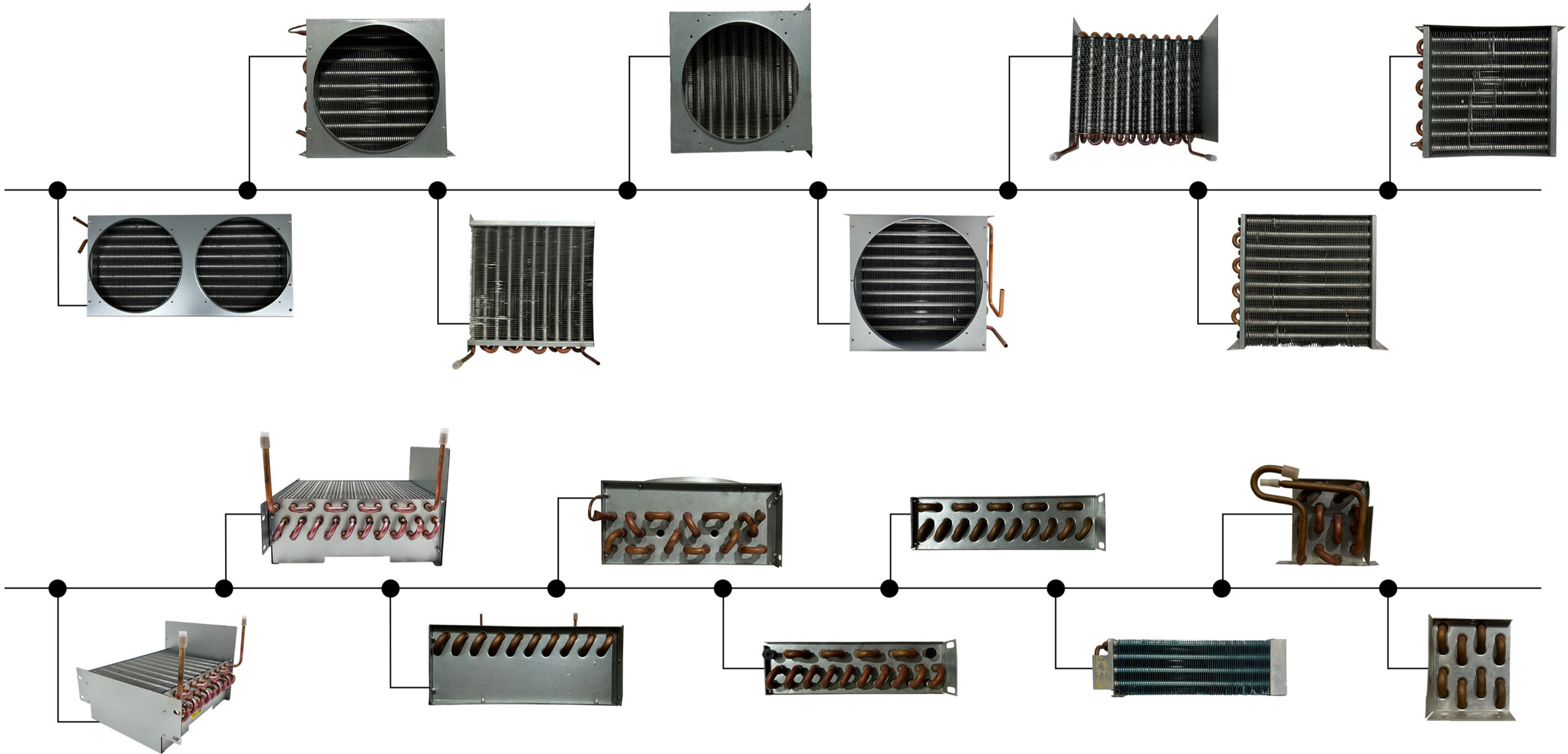


Technical Parameter

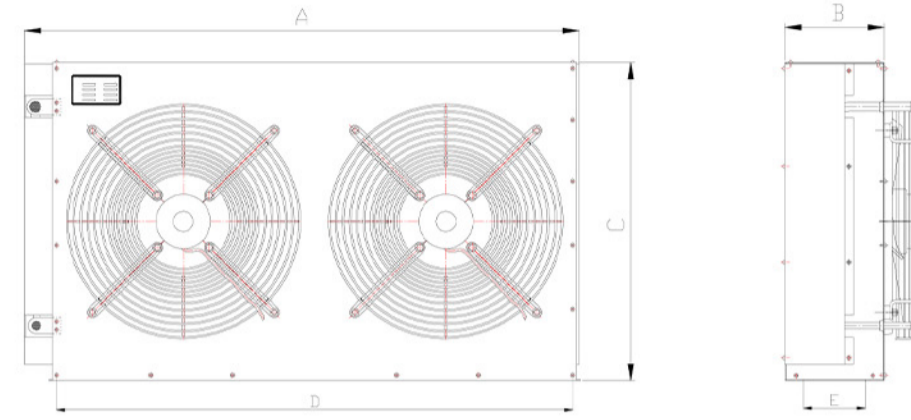
| Model | Key Parameters of Copper Tube Layout | | | Tube Type | Finned Pitch | Finned Shape | Finned Material | Practical Application |
|--------|--------------------------------------|-----------|---------------|-------------|---------------------------------|------------------|--|--|
| | Tube center distance | row pitch | Tube diameter | | | | | |
| FHE215 | 21mm | 18.2mm | φ5.0mm | Copper tube | Adjustable spacing among 2-4mm | Corrugated sheet | Aluminum foil(Polished foil or Hydrophilic foil) | Best matching for R290 compressor |
| FHE229 | 25mm | 21.65mm | φ9.52mm | Copper tube | Adjustable spacing among 3-6mm | Corrugated sheet | Aluminum foil(Polished foil or Hydrophilic foil) | Various working media for multipurpose |
| FHE331 | 35mm | 35mm | φ12mm | Copper tube | Adjustable spacing among 4-10mm | Corrugated sheet | Aluminum foil(Polished foil or Hydrophilic foil) | First choice component for multideck |

* Copper tube(polished tube or internal thread tube)

Finned Tube Condenser



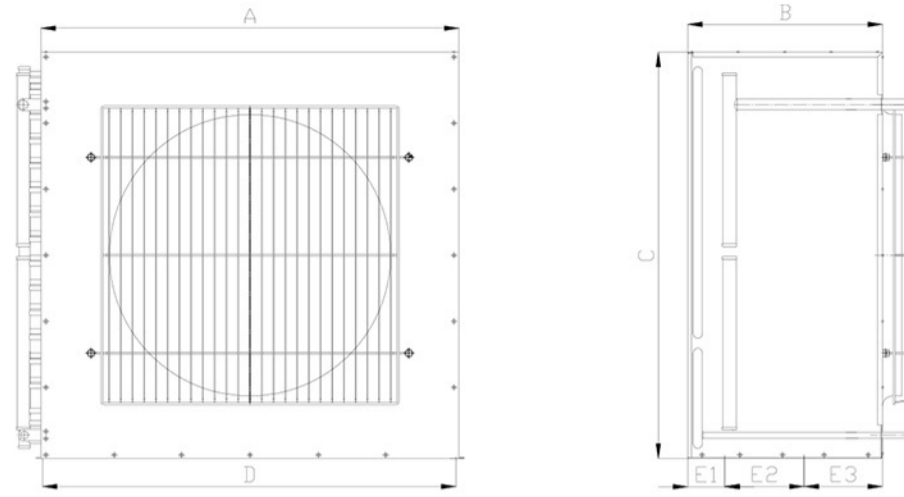
FN Standard Type Specification



| Model | Cap(Kw) | Area(m2) | Fan | | | | Connect Dia(mm) | | Overall Sizes(mm) A×B×C | Installation Sizes(mm) | |
|---------|---------|----------|----------|---------|-----------|-----|-----------------|---------|----------------------------|------------------------|-----|
| | | | Input(w) | Dia(mm) | Air(m3/h) | V | In(mm) | Out(mm) | | D | E |
| FN-2 | 0.6 | 2 | 1×35 | 200 | 410 | 220 | φ10 | φ10 | 320×100×230 | 270 | 65 |
| FN-3.4 | 1 | 3.4 | 1×35 | 200 | 410 | 220 | φ12 | φ12 | 320×100×230 | 270 | 65 |
| FN-4.4 | 1.3 | 4.4 | 1×60 | 250 | 750 | 220 | φ12 | φ12 | 370×100×280 | 325 | 65 |
| FN-5.4 | 1.6 | 5.4 | 1×75 | 300 | 1350 | 220 | φ12 | φ12 | 440×100×330 | 392 | 65 |
| FN-7.0 | 2 | 7 | 1×90 | 300 | 1350 | 220 | φ12 | φ12 | 440.×135×330 | 390 | 90 |
| FN-8.4 | 2.3 | 8.4 | 1×150 | 350 | 3100 | 380 | φ16 | φ12 | 500×130×430 | 455 | 95 |
| FN-11.5 | 3.5 | 11.5 | 1×150 | 350 | 3100 | 380 | φ16 | φ12 | 480×180×430 | 430 | 145 |
| FN-15 | 4.4 | 15 | 1×150 | 350 | 3100 | 380 | φ16 | φ12 | 550×180×480 | 490 | 145 |
| FN-18 | 5.2 | 18 | 1×180 | 400 | 4500 | 380 | φ19 | φ16 | 590×180×530 | 530 | 140 |
| FN-22 | 6.4 | 22 | 1×180 | 400 | 4500 | 380 | φ19 | φ16 | 590×180×530 | 530 | 140 |
| FN-25 | 8.1 | 25 | 1×180 | 400 | 4500 | 380 | φ19 | φ16 | 750×180×680 | 660 | 150 |
| FN-21 | 6.1 | 21 | 2×90 | 300 | 2700 | 220 | φ16 | φ12 | 840×180×430 | 790 | 140 |
| FN-28 | 8.2 | 28 | 2×150 | 350 | 6200 | 380 | φ19 | φ16 | 900×180×430 | 840 | 145 |
| FN-33 | 11.2 | 33 | 2×150 | 350 | 6200 | 380 | φ19 | φ16 | 900×200×480 | 840 | 130 |
| FN-36 | 12.6 | 36 | 2×180 | 400 | 9000 | 380 | φ19 | φ16 | 1015×180×580 | 950 | 150 |
| FN-43 | 14.8 | 43 | 2×180 | 400 | 9000 | 380 | φ22 | φ16 | 1015×180×680 | 950 | 150 |
| FN-48 | 17.5 | 48 | 2×180 | 400 | 9000 | 380 | φ22 | φ16 | 1250×200×630 | 1172 | 120 |
| FN-55 | 19.2 | 55 | 2×180 | 400 | 9000 | 380 | φ22 | φ19 | 1250×200×730 | 1172 | 140 |
| FN-70A | 20.5 | 70 | 2×250 | 450 | 10360 | 380 | φ28 | φ19 | 1250×200×830 | 1172 | 120 |
| FN-80A | 24.4 | 80 | 2×250 | 450 | 10360 | 380 | φ28 | φ19 | 1250×200×830 | 1172 | 120 |
| FN-100 | 29.6 | 100 | 4×180 | 400 | 18000 | 380 | φ28 | φ22 | 1250×200×1130 | 1172 | 120 |
| FN-130 | 38.2 | 130 | 4×180 | 400 | 18000 | 380 | φ28 | φ22 | 1250×200×1380 | 1172 | 120 |
| FN-150 | 47.2 | 150 | 4×180 | 400 | 18000 | 380 | φ28 | φ22 | 1250×250×1330 | 1240 | 200 |
| FN-180 | 54 | 180 | 4×180 | 400 | 18000 | 380 | φ35 | φ22 | 1250×270×1330 | 1240 | 200 |

*Note: 1. Capacity is for no water spray. 2. Water pressure must no less than 1.5bar.

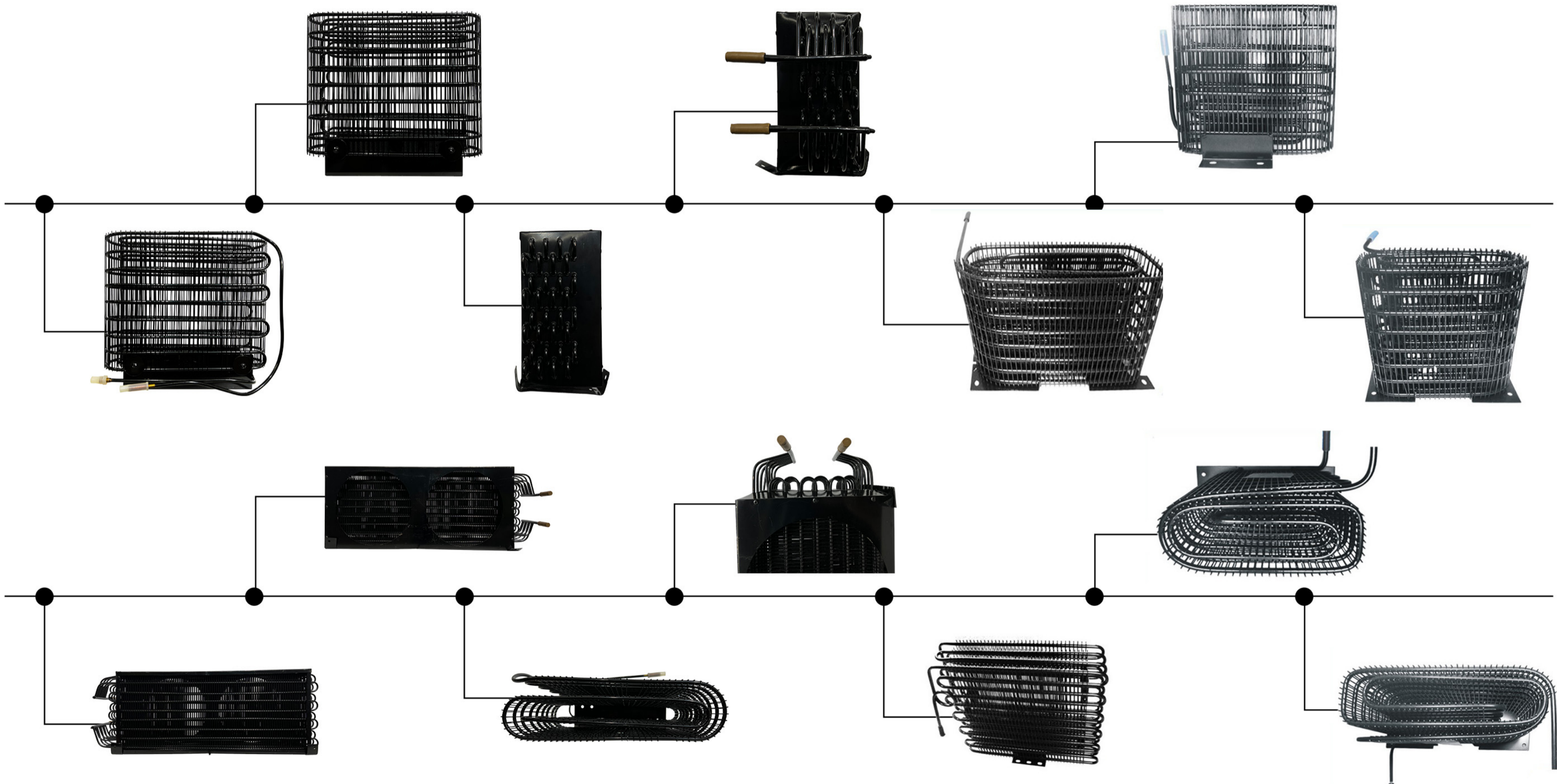
FNS Type



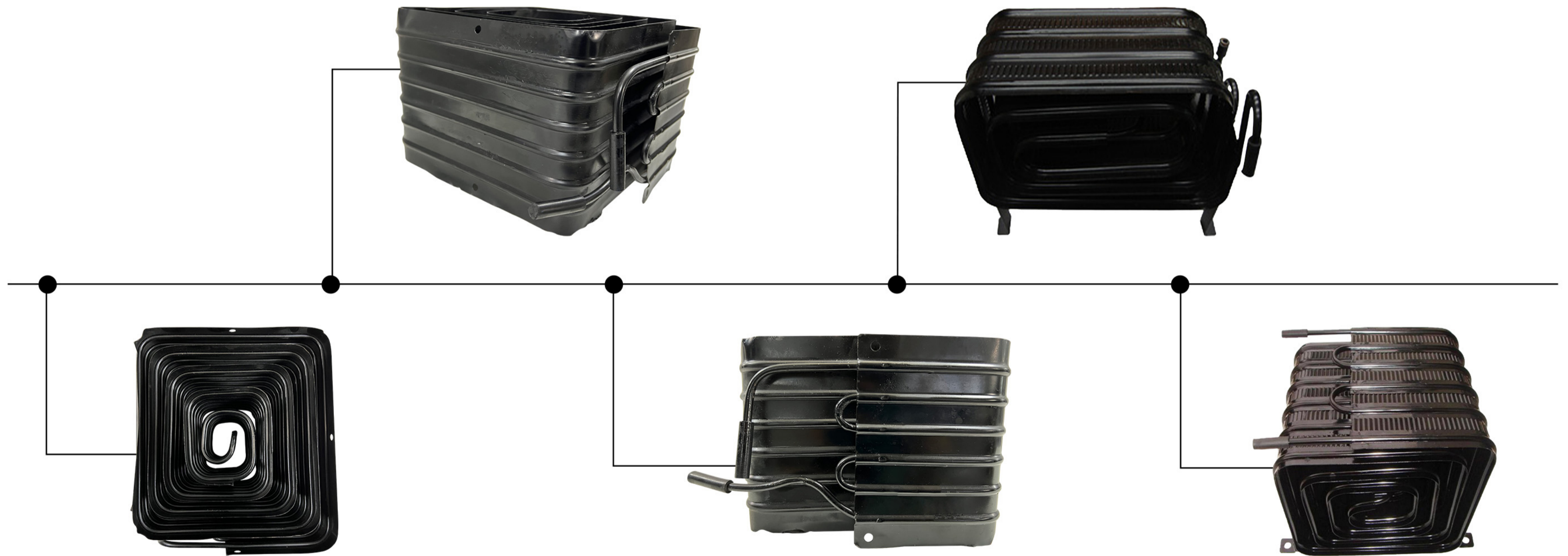
| Model | Cap(Kw) | Area(m ²) | Fan | | | | | Connect Dia(mm) | | Overall Sizes(mm) | | | | Installation Sizes(mm) | | |
|---------|---------|-----------------------|----------|---------|------------------------|-----|---|-----------------|---------|-------------------|-----|------|------|------------------------|-----|-----|
| | | | Input(w) | Dia(mm) | Air(m ³ /h) | V | P | In(mm) | Out(mm) | A | B | C | D | E1 | E2 | E3 |
| FNS-25 | 7.5 | 25 | 180 | 450 | 4600 | 380 | 6 | 16 | 12 | 855 | 430 | 630 | 845 | 25 | 160 | 160 |
| FNS-35 | 10.5 | 35 | 180 | 450 | 4600 | 380 | 6 | 16 | 12 | 855 | 430 | 630 | 845 | 25 | 160 | 160 |
| FNS-40 | 12 | 40 | 320 | 500 | 6150 | 380 | 6 | 16 | 12 | 855 | 470 | 730 | 845 | 25 | 175 | 175 |
| FNS-45 | 13.5 | 45 | 600 | 560 | 6800 | 380 | 8 | 22 | 12 | 855 | 470 | 830 | 845 | 25 | 175 | 175 |
| FNS-55 | 16.5 | 55 | 600 | 560 | 6800 | 380 | 8 | 22 | 16 | 855 | 470 | 830 | 845 | 25 | 175 | 175 |
| FNS-65 | 19.5 | 65 | 600 | 560 | 6800 | 380 | 8 | 22 | 16 | 855 | 470 | 930 | 845 | 25 | 175 | 175 |
| FNS-80 | 24 | 80 | 2×320 | 500 | 12300 | 380 | 6 | 28 | 16 | 1440 | 470 | 830 | 1430 | 25 | 175 | 175 |
| FNS-90 | 27 | 90 | 2×600 | 560 | 13600 | 380 | 8 | 28 | 22 | 1440 | 470 | 930 | 1430 | 25 | 175 | 175 |
| FNS-110 | 33 | 110 | 2×600 | 560 | 13600 | 380 | 8 | 28 | 22 | 1440 | 470 | 930 | 1430 | 25 | 175 | 175 |
| FNS-130 | 39 | 130 | 2×680 | 610 | 16400 | 380 | 8 | 28 | 22 | 1540 | 510 | 930 | 1530 | 25 | 195 | 195 |
| FNS-150 | 45 | 150 | 2×680 | 610 | 16400 | 380 | 8 | 28 | 22 | 1540 | 510 | 1030 | 1530 | 25 | 195 | 195 |

*Note: 1. Capacity is for no water spray. 2. Water pressure must no less than 1.5bar.

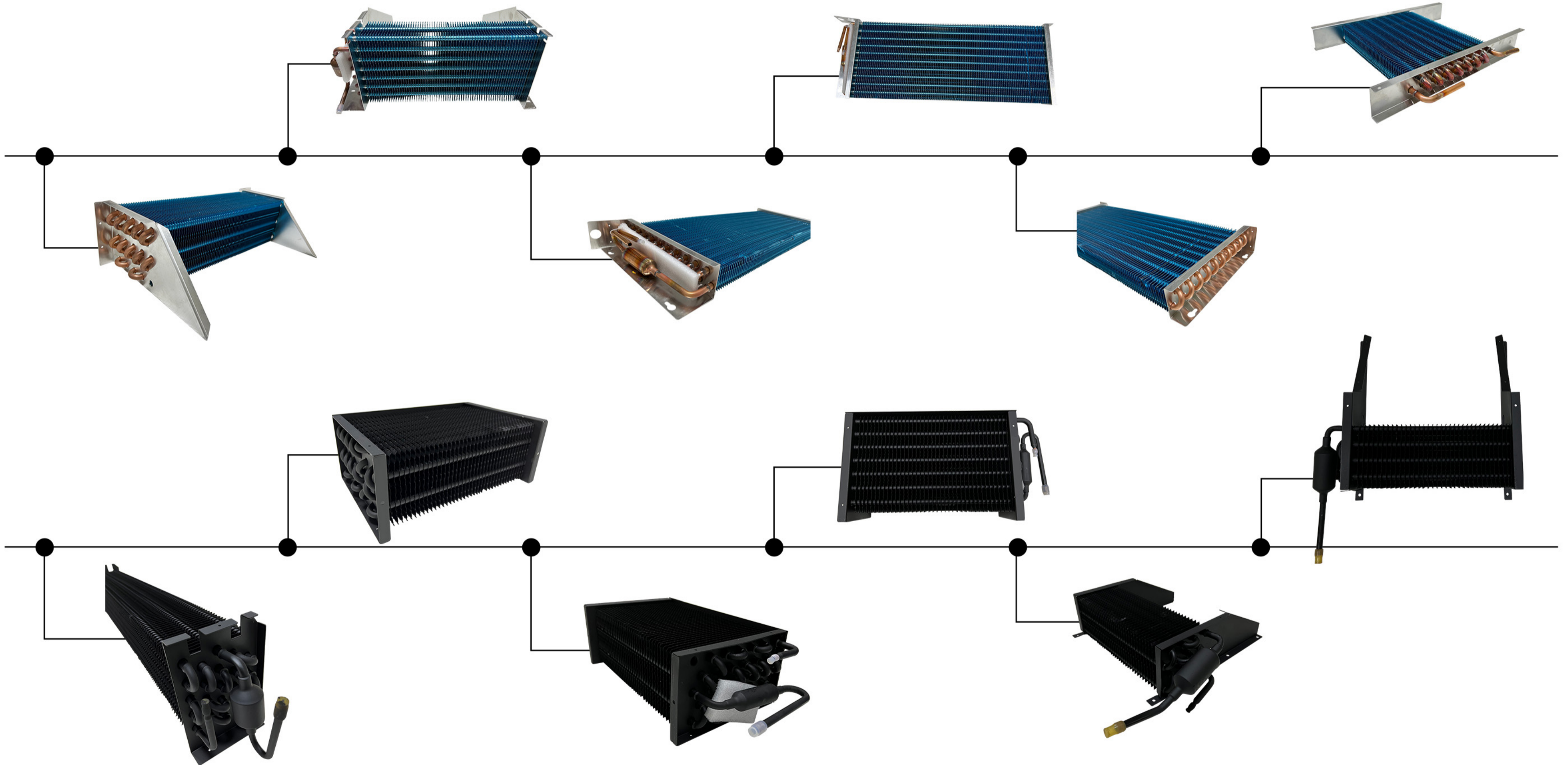
Wire Tube Condenser



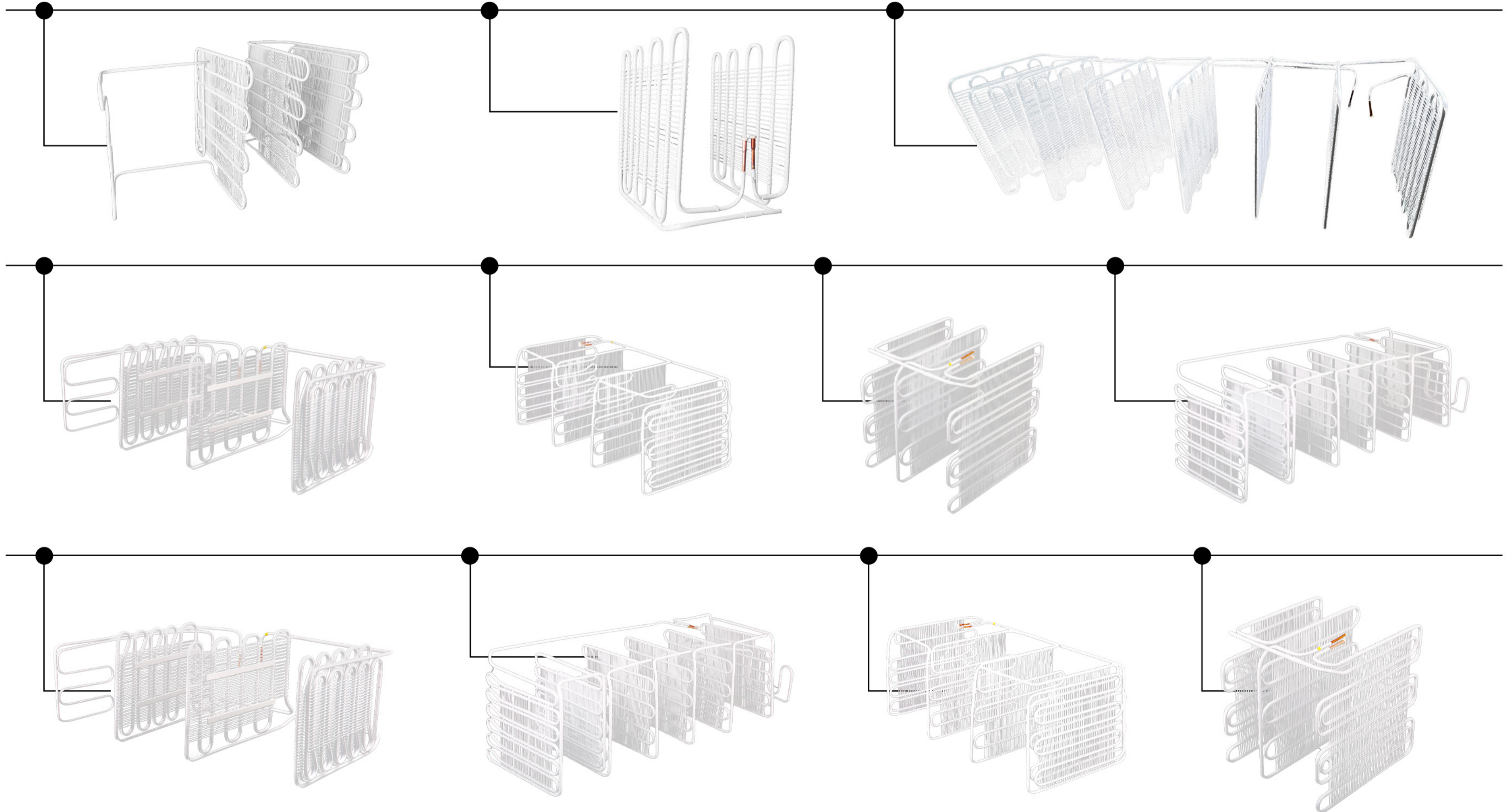
— Tube Plate Condenser



Finned Tube Evaporator



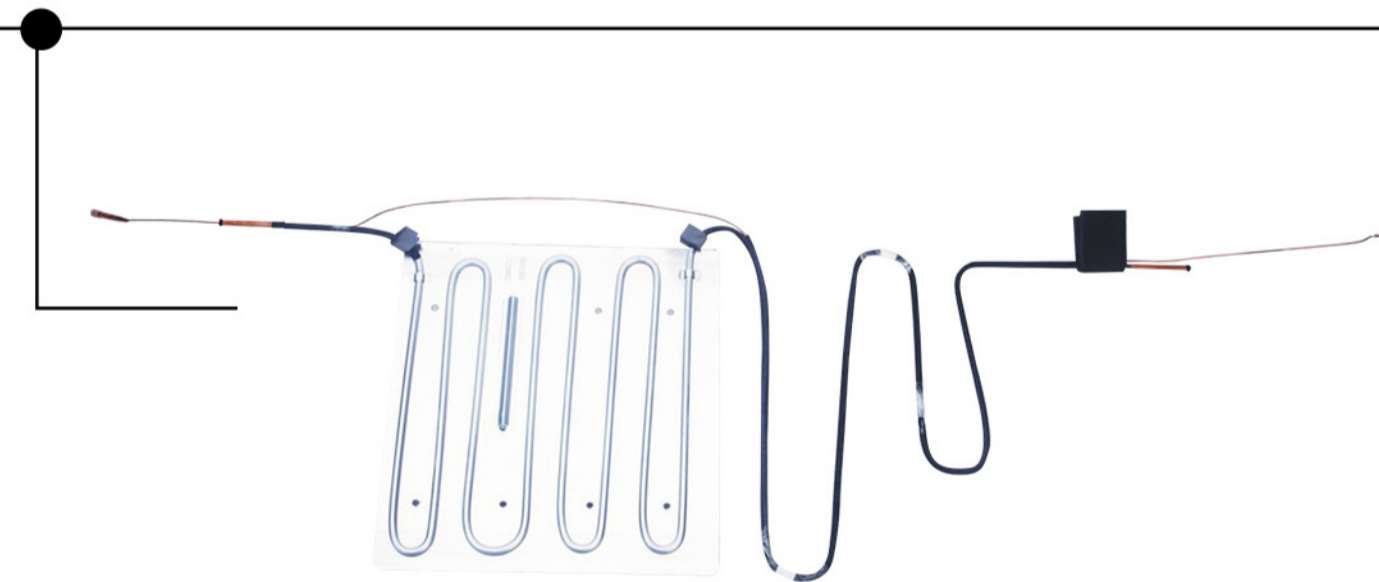
— Wire Tube Evaporator



— Tube Plate Evaporator

The plate and tube evaporator is an evaporator with extended surface that the coil through which the refrigerant flows are welded in the surface of one or several metal plates.

| | |
|---------------------------|---|
| Main raw material | aluminum plate, aluminum tube |
| Structure type | plate and tube |
| Heat exchange performance | can satisfy freezing-18°C refrigeration-2~4°C |
| Surface treatment | anodizing |
| Internal quality | No leakage, can satisfy the internal cleanliness requirements of CFC and non-CFC refrigerants |



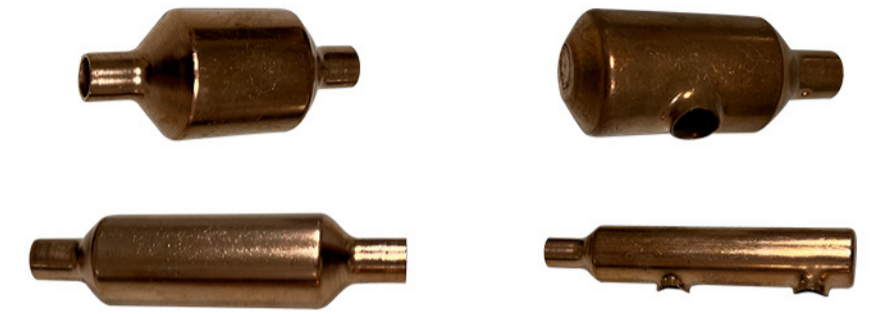
— Filter



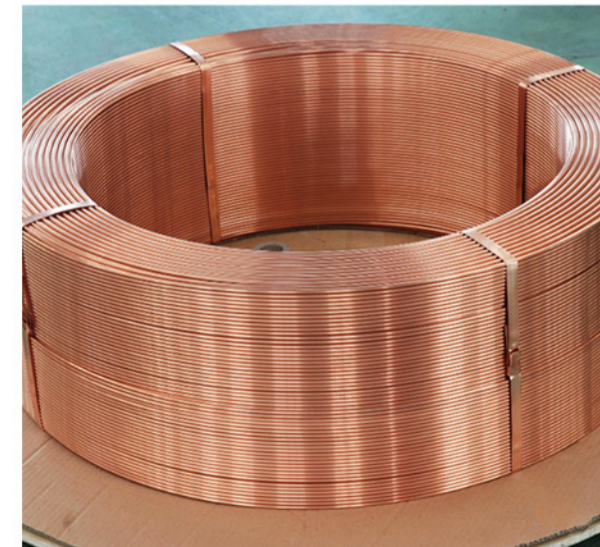
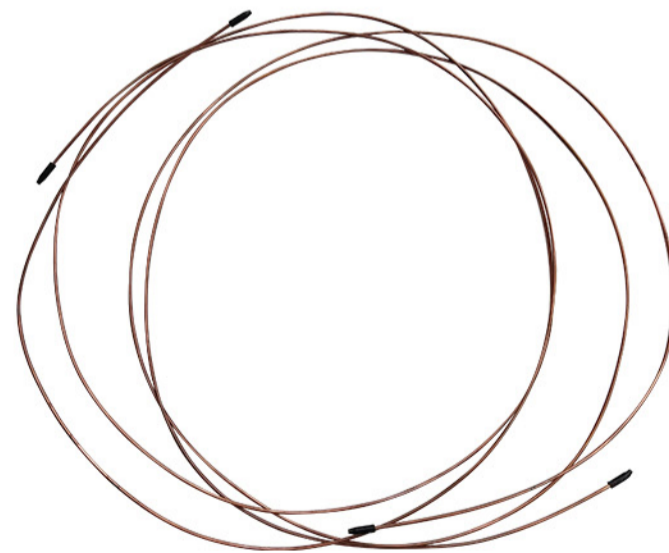
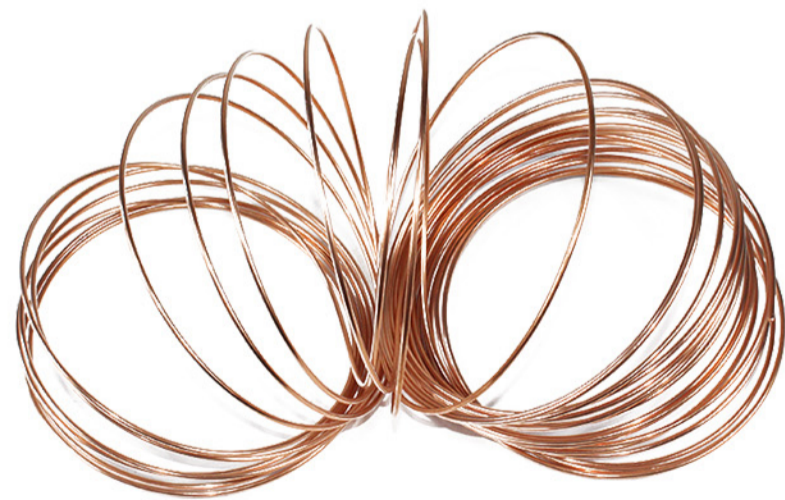
— Connect Tube

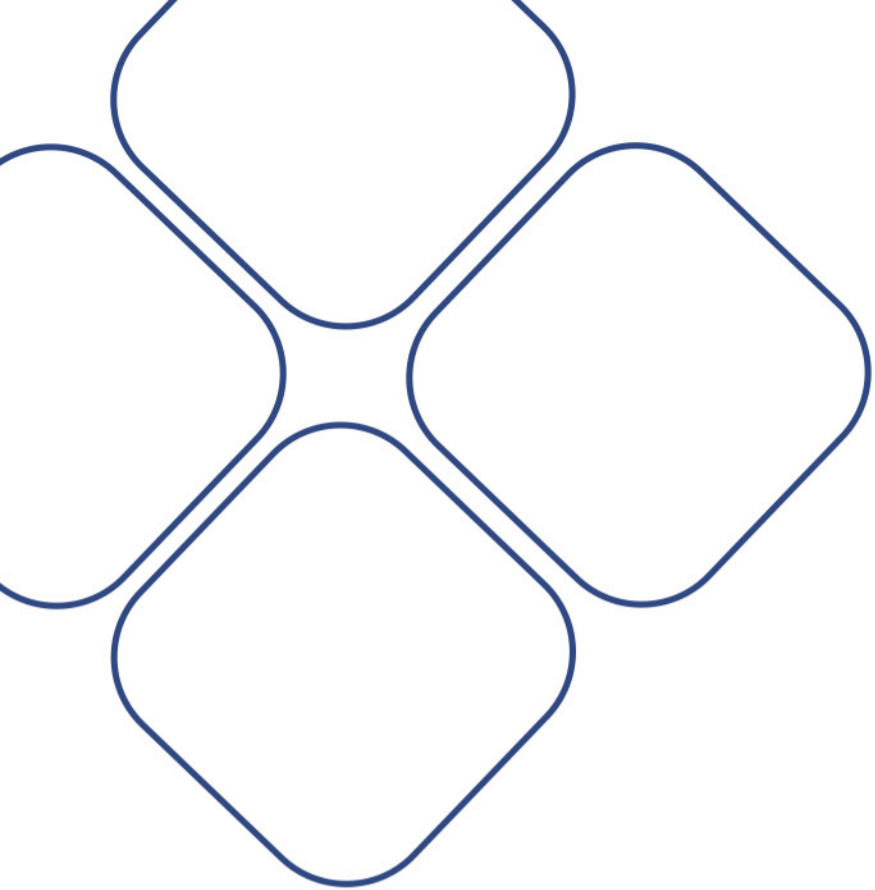


— Accumulator



— Copper Tube for Capillary Tube Processed





Total Solution of Commercial Refrigerators

Foshan Nenwell Import & Export Trading Co., Ltd.



Foshan Nenwell Import Export Trading Co., Ltd.

Address: Rm 601, Bld# 5a Tianan Mansion, Jianping Rd,
Guicheng, Nanhai, Foshan, Guangdong, China

Tel:0086-757-85856069

<http://www.nenwell.com/>