

Total Solution of Commercial Refrigerators

Foshan Nenwell Import & Export Trading Co., Ltd.

Foshan Nenwell Import Export Trading Co., Ltd.
Address: Rm 601, Bld# 5a Tianan Mansion, Jianping Rd,
Guicheng, Nanhai, Foshan, Guangdong, China
Tel:0086-757-85856069
<http://www.nenwell.com/>



Your Ideal One-Stop Supplier of Commercial Fridges

Nenwell, China tier 1 commercial refrigeration solution provider, with 7+ affiliated factories standing behind us, we are enduring in operating mass production and fast delivery for valued clients across the world. Alongside the decades since China's open policy in 90's, Nenwell took deep root in China commercial refrigeration industry and grew into a total solution provider of commercial refrigeration equipment, such as reach in refrigerator, glass door merchandiser, countertop fridge, back bar fridge, conventional fridges and freezers, and medical purpose refrigerators. Besides these commercial refrigerators, also we are supplying numerous components and fridge production lines. Nenwell Import and Export is our export outlet and the helper in pivoting global supply chain in this field across the world. We are committed to become your ideal one-stop supplier of freezers and coolers.



Barrel Can Cooler/Freezer Supermarket Refrigerator Medical Refrigerator Cake Showcase Countertop Chiller Ice Cream Refrigerator Silm Upright Freezer Upright Freezer

Nenwell, a Joint of High Quality upon Cost-Efficiency

Deeply rooted in China refrigeration industry for the past three decades, we have developed prominent expertise and leading technology which bring our manufacturing to world-class high quality. Quality and safety standards such as ISO90001, CE, RoHS, REACH, ETL, UL, NSF, CB, SAA and other norms are well met for different product lines. High quality products and efficient inner cost control empowers Nenwell to grow rapidly in the refrigeration field. Your one-stop refrigeration supplier is us as we run comprehensively full field refrigeration equipment, from cooler to freezer, from mini to large, from counter-top to free-standing, from complete units to components, and from products to production lines. We are professional in satisfying your OEM/ ODM and customized orders.

We help Boost Your Brand in Catering and Retailing



We are always one step ahead of the food service and retailing business. Our insights in stylish designs, illuminated visibility, energy saving technology can definitely boost your brand distribution and retailing sales. Remarkable acknowledgements are bestowed to Nenwell through trustworthy cooperations with famous clients home and abroad, such as Qingdao Beer, Tiger Beer, Polar Bear, Nestle', Meiji, Dairy Queen, Arum, Klondike, Cream Bell, Dairy Day, Igloo, Orchard Fresh, Cold Stone, Llaollao, Fruits, Amorino, Galadari and the list extends yearly.



Barrel Cooler



Countertop Chiller



Silm Upright Freezer



Upright Fridge



Cake Showcase



Ice Cream Showcase



Supermarket Merchandiser



Medical Refrigerator

2 ~ 8°C Pharmacy Refrigerator



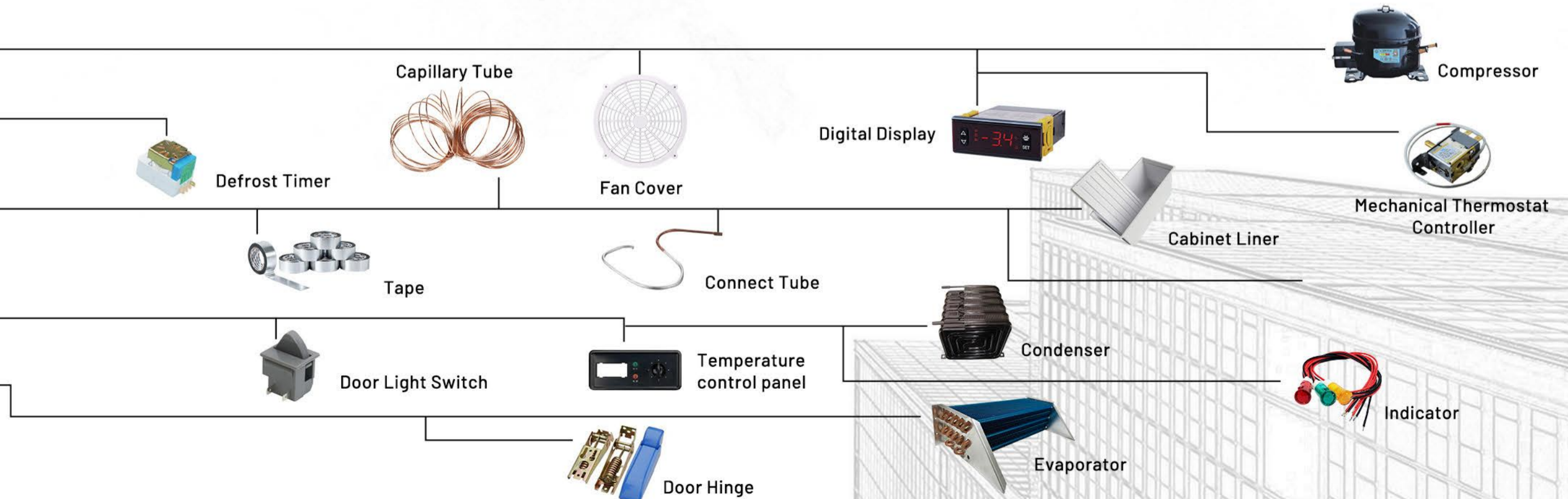
4°C Blood Bank Refrigerator



-40°C Biomedical Freezer



Transport Cooler



CATALOGUE

01 // // // Defrost Timer&Heater&Fush

13 // // // Digital Display

45 // // // Mechanical Thermostat Controller

49 // // // Indicator

51 // // // Door Light Switch

55 // // // Temperature Control Panel

58 // // // Thermostat Waterproof Box

— Electrical Parts: TEME Series Defrost Timer

The defrost cycle of the defrost timer is 3-24 hours, and the recovery time is 1-45 minutes, which can be customized according to customer requirements.



MODEL/Brand	Rated Voltage	Frequency	Switch Rating	Defrost Time		Cycle Time	Power Consumption
				50HZ/60HZ	50HZ/60HZ	50HZ/60HZ	
JS1-1	520ZC1	220V	50/60HZ	AC250V/5A	25m/21m	6h01m/5h01m	MAX1.8W
	520TA1	110V	50/60HZ	AC125V/6A	25m/21m	6h01m/5h01m	
	625ZF1	220V	50/60HZ	AC250V/5A	25m/22m	6h04m/5h08m	
	702ZA1	110V	50/60HZ	AC125V/6A	2m24s/2m	8h46m/7h18m	
	706SC	220V	50/60HZ	AC250V/5A	7m/5m 50s	7h54m/6h35m	
	706A1	110V	50/60HZ	AC125V/6A	7m/5m 50s	7m54m/6h35m	
	802ZC1	220V	50/60HZ	AC250V/5A	2m24s/2m	8h46m/7h18m	
	807KA1	110V	50/60HZ	AC125V/6A	7m/5m 50s	7h54m/6h35m	
	807KF1	220V	50/60HZ	AC250V/5A	7m/5m 50s	7h54m/6h35m	
	X09UM1	220V	50/60HZ	AC250V/5A	12m/9m	12h6m/10h5m	

— Electrical Parts: TEMF Series Defrost Timer

The defrost cycle of the defrost timer is 5-24 hours, and the recovery time is 1-40 minutes, which can be customized according to customer requirements.



MODEL/Brand	Rated Voltage	Frequency	Switch Rating	Defrost Time		Cycle Time	Power Consumption
				50HZ/60HZ	50HZ/60HZ	50HZ/60HZ	
JS1-4	702ZD1	220V	50/60HZ	250V/5A	2m24s/2m	8h46m/7h19m	MAX1.7W
	702ZH2	220V	50/60HZ	250V/5A	2m24s/2m	8h46m/7h19m	
	702KB1	110V	50/60HZ	115V/5A	2m24s/2m	8h46m/7h19m	
	706KL4	110V	50/60HZ	115V/5A	7m/5m50s	8h/6h38m	
	704ED1	220V	50/60HZ	250V/5A	4m/3m10s	8h/6h38m	
	706ZD1	220V	50/60HZ	250V/5A	7m/5m50s	8h/6h38m	
	706CD1	220V	50/60HZ	250V/5A	7m/5m50s	8h/6h38m	
	807KH2	110V	50/60HZ	115V/5A	7m/5m50s	8h/6h38m	
	835KA2	110V	50/60HZ	115V/5A	35m/29m	8h/6h38m	
	X004KG2	110V	50/60HZ	115V/5A	4m20s/3m30s	10h/8h24m	
	X004ZD1	220V	50/60HZ	250V/5A	4m20s/3m30s	10h/8h24m	

— Electrical Parts: TEMJ Series Defrost Timer

The defrost cycle of the defrost timer is 4-24 hours, and the recovery time is 1-40 minutes, which can be customized according to customer requirements.



MODEL/Brand	Rated Voltage	Frequency	Switch Rating	Defrost Time		Cycle Time	Power Consumption
				50HZ/60HZ	50HZ/60HZ	50HZ/60HZ	
TMDJ®	521ZF1	240v	50/60HZ	AC250V/10A 1/3hp	20m/17m	6h/5h	MAX1.5W
	621ZF1	240V	50/60HZ	AC250V/10A 1/3hp	21m/18m	6h/5h	
	625ZF1	240V	50/60HZ	AC250V/10A 1/3hp	25m/21m	6h/5h	
	625RN9	120V	50/60HZ	AC125V/15A 1/2hp	25m/21m	6h/5h	
	625SCR	120V	50/60HZ	AC125V/15A 1/2hp	25m/21m	6h/5h	
	721ZF1	240V	50/60HZ	AC250V/10A 1/3hp	21m/19m	7h/6h	
	725ZF1	240V	50/60HZ	AC250V/10A 1/3hp	25m/21m	7h/6h	
	737RC1	120V	50/60HZ	AC125V/15A 1/2hp	35m/29m	7h/6h	
	807ZF1	240V	50/60HZ	AC250V/10A 1/3hp	7m/5m	8h/6h/40m	
	824ZF1	240V	50/60HZ	AC250V/10A 1/3hp	24m/21m	8h/6h/40m	
	833RC1	240V	50/60HZ	AC250V/10A 1/3hp	33m/28m	8h/6h/40m	
	X25SCR	120V	50/60HZ	AC125V/15A 1/2hp	25m/19m	12h/10h	
	625SCR	120V	50/60HZ	AC125V/15A 1/2hp	25m/21m	6h/5h	
	725ZF1	240V	50/60HZ	AC250V/10A 1/3hp	25m/21m	7h/6h	
	824ZF1	240V	50/60HZ	AC250V/10A 1/3hp	24m/21m	8h/6h/40m	
	X25SCRX	120V	50/60HZ	AC125V/15A 1/2hp	25m/19m	12h/10h	

Electrical Parts: TEMB Series Defrost Timer

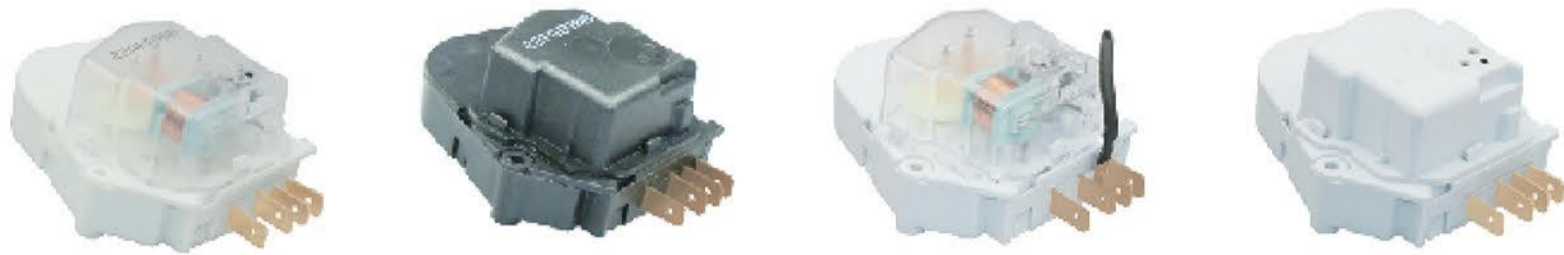
The defrost cycle of the defrost timer is 6-24 hours, and the recovery time is 10-50 minutes, which can be customized according to customer requirements.



MODEL/Brand	Rated Voltage	Frequency	Switch Rating	Defrost Time		Cycle Time	Power Consumption
				50HZ/60HZ	50HZ/60HZ	50HZ/60HZ	
TMDB	M8322X	208-240V	50/60HZ	AC250V/6A	29m40s/25m	9H36m/8h	MAX 3W
	M8322	208-240V	50/60HZ	AC250V/6A	25m20s/21m6s	9H36m/8h	
	M8308X	100-120V	50/60HZ	AC125V/9A	24m12/20m	9H36m/8h	
	M8308	100-120V	50/60HZ	AC125V/9A	24m12/20m	9H36m/8h	
	M8429X	100-120V	50/60HZ	AC125V/9A	25m20s/21m6s	7H12m/6h	
	M8429	100-120V	50/60HZ	AC125V/9A	29m40s/25m	7H12m/6h	
	M8431X	208-240V	50/60HZ	AC250V/6A	36m25s/31m	7H12m/6h	
	M8431	208-240V	50/60HZ	AC250V/6A	24m12/20m	7H12m/6h	
	M8429RX	100-120V	50/60HZ	AC125V/9A	37m20s/32m16s	7H12m/6h	

— Electrical Parts: TEMC Series Defrost Timer

The defrost cycle of the defrost timer is 4-24 hours, and the recovery time is 10-45 minutes, which can be customized according to customer requirements.



MODEL/Brand	Rated Voltage	Frequency	Switch Rating	Defrost Time		Cycle Time		Power Consumption
				50HZ/60HZ	50HZ/60HZ	50HZ/60HZ	50HZ/60HZ	
JS1-3	621-1	100V-125V	50/60HZ	AC135V/10A.1/2hp	20m30s/16m	6h/5h		MAX2W
	625-1	208V-240V	50/60HZ	AC250V/5A.1/3hp	25m/20m50s	6h/5h		
	7225-1	100V-125V	50/60HZ	AC135V/10A.1/2hp	25m/21m	7h10m/6h		
	821-1	100V-125V	50/60HZ	AC135V/10A.1/2hp	21m/17m	8h/6h40m		
	825-1	208V-240V	50/60HZ	AC250V/15A.1/3hp	24m/20m	8h/6h40m		
	1221-1	100V-125V	50/60HZ	AC135V/10A.1/2hp	21m/17m	12h/10h		
	1225-1	208V-240V	50/60HZ	AC250V/5A.1/3hp	25m/20m	12h/10h		
	625-1T	208V-240V	50/60HZ	AC250V/5A.1/3hp	25m/20m50s	6h/5h		
	824-1T	208V-240V	50/60HZ	AC250V/5A.1/3hp	24m/20m	8h/6h40m		
	621-1TN	100V-125V	50/60HZ	AC135V/10A.1/2hp	20m30s/16m	6h/5h		
	821-1TN	100V-125V	50/60HZ	AC135V/10A.1/2hp	21m/17m	8h/6h40m		
	1225-1TN	208V-240V	50/60HZ	AC250V/5A.1/3hp	25m/20m	12h/10h		

— Electrical Parts: TEMD Series Defrost Timer

The defrost cycle of the defrost timer is 5-24 hours, and the recovery time is 4-40 minutes, which can be customized according to customer requirements.



MODEL/Brand	Rated Voltage	Frequency	Switch Rating	Defrost Time		Cycle Time		Power Consumption
				50HZ/60HZ	50HZ/60HZ	50HZ/60HZ	50HZ/60HZ	
TD-20	TMDD807C	200-240V	50/60HZ	AC250V/5A	7m/5m50s	8H/6H40m		MAX1.5W
	TMDD807L	100-130V	50/60HZ	AC130V/6A	7m/5m50s	8H/6H40m		
	TMDD814C	200-240V	50/60HZ	AC250V/5A	14m24s/12m	8H/6H40m		
	TMDD814L	100-130V	50/60HZ	AC130V/6A	14m24s/12m	8H/6H40m		
	TMDDX210C	200-240V	50/60HZ	AC250V/5A	10m45s/9m	12H5m/10H2m		
	TMDDX210L	100-130V	50/60HZ	AC130V/6A	10m45s/9m	12H5m/10H2m		
	TMDDX407L	100-130V	50/60HZ	AC130V/6A	7m12s/6m	14H24m/12H		
	TMDDX412C	200-240V	50/60HZ	AC250V/5A	12m52s/10m45s	14H24m/12H		

— Electrical Parts: TMDX Series Defrost Timer



Product	INPUT		Output ratings			
	Line voltage (VAC/VDC)	Line Frequency (HZ)	Maximum (amps)	MINIMUM (mA)	Inrush (amps)	TIME DELAY (mins adjustable)
TD-068 TMDX-03-10.OFF	18-240	50/60	1.5	40	15	0.3-10
TD-072 TMDX-03-10.ON	18-240	50/60	1.5	40	15	0.3-10

— Electrical Parts: TMDH/M/N Series Electronic Timer

The defrost cycle of the defrost timer is 4-24 hours, and the recovery time is 6-40 minutes, which can be customized according to customer requirements.



Product	Working Cycle Time		Defrost Time	
	50Hz	60Hz	50Hz	60Hz
TMDG-DT-100	8hr8±10min		7min±2min	
TMDG-DT-100-02	8hr8±10min		6min30s±2min	



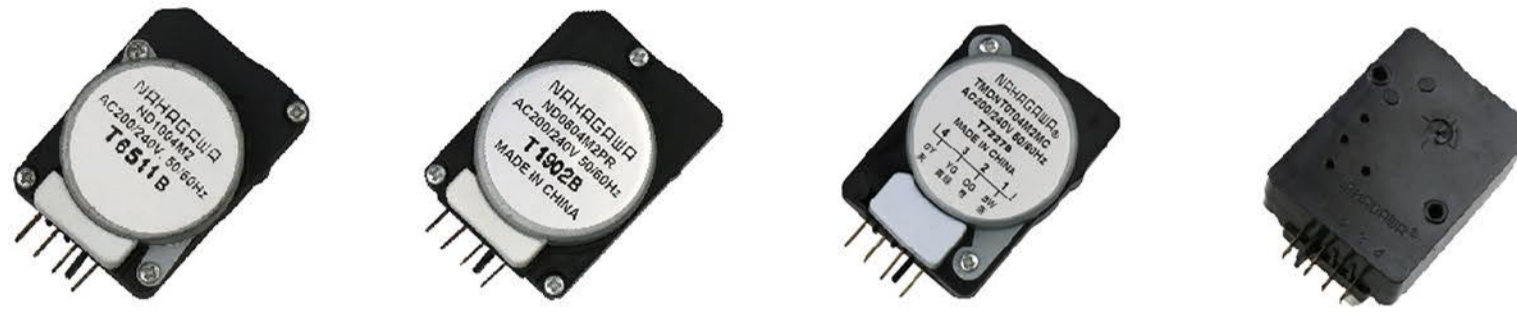
Product	Working Cycle Time		Defrost Time	
	50Hz	60Hz	50Hz	60Hz
TMDH-520	6hr5min±10min	5hr5min ±8min20s	25min±5min	20min50s±4min10s
TMDH-621	7hr12min±7min	6hr±6min	25min±5min	20min50s±4min10s
TMDH-625	7hr12min±7min	6hr±6min	30min±3min	25min±2min30s
TMDH-821	9hr36min±8min	8hr±7min	25min±5min	20min50s±4min10s
TMDH-830	9hr36min±8min	8hr±7min	36min±6min	30min±5min



Product	Working Cycle Time		Defrost Time	
	50Hz	60Hz	50Hz	60Hz
TMDM-625	6hr±6mi	5hr±5min	25min±5min	20min50s±4min10s
TMDM-725	7hr12min±7min	6hr±6min	25min±5min	20min50s±4min10s
TMDM-730	7hr12min±7min	6hr±6min	30min±3min	25min±2min30s
TMDM-824	8hr±8min	6hr40min±7min	24min±5min	20min±4min10s
TMDM-825	8hr±8min	6hr40min±7min	25min±5min	21min±4min10s
TMDM-832	8hr±8min	6hr40min±7min	32min±5min	26min40s±4min10s
TMDM-924	9hr36min±8min	8hr±7min	24min±5min	20min±4min10s
TMDM-925	9hr36min±8min	8hr±7min	25min±5min	20min50s±4min10s
TMDM-936	9hr36min±8min	8hr±7min	36min±6min	30min±5min

— Electrical Parts: TMDN Series Defrost Timer

2-4Power 5A,250V.AC 10A,250V.AC 15A,250V.AV



Product	Working Cycle Time		Defrost Time	
	50Hz	60Hz	50Hz	60Hz
TMDN-704	7hr20min6min	6hr35min5min	4min50s1min30s	4min1min
TMDN-804	8hr46min6min	7hr20min5min	4min50s1min30s	4min1min
TMDN-1004	10hr50min6min	9hr02min5min	4min20s 1min12s	3min20s1min
TMDN-1304	13hr10min	10hr50min8min20s	4min20s 1min	3min20s1min

— Electrical Parts: 24 Hour Timer



PROGRAMMABLE TIMER

- 1.model:TG-14
- 2.material:Flame retardant pc
- 3.Electrical conductor:brass
- 4.voltage:220v-250v 50hz 16(2)A
- 5.power:3500w
- 6.Minimum timing time:15minutes
- 7.Maximum timing time:24hours
- 8.The main certification:CE,ROHS,CB Etc.

PROGRAMMABLE TIMER

- 1.model:TJ01-A
- 2.voltage:100-127Vac, 220-240Vac, 16(2)A
12Vdc,24Vdc, 48Vdc
- 3.frequency:50Hz/60Hz
- 4.power:3500W
- 5.Minimum timing time:15 min
- 6.Maximum timing time:24 HOURS
- 7.material:Flame retardant PC
- 8.The main certification:CE,ROHS,CB Etc.



— Electrical Parts: UETNM Series Defrost Timer



Product	Working Cycle Time		Defrost Time	
	50Hz	60Hz	50Hz	60Hz
UETNM-01	6hr5min±10min	5hr5min±8min20s	25min±5min	20min50s±4min

Voltage power: 10A 125V.AC/5A 250V.AC



K1	K2	Cycle Time (Hours)	K3	K4	Defrost Time (Hours)
ON	ON	6	ON	ON	15
ON	OFF	8	ON	OFF	21
OFF	ON	12	OFF	ON	25
OFF	OFF	24	OFF	OFF	32

Specification	
Input Voltage	UEDS-120 90-250VAC; 50/60Hz
Connection	
Output Rating	
Max defrosting current	Switch 3~2 10A
Max compressor current	Switch 3~4 1/2hp
Adjustable timing	
Defrost time	15,21,25,32 min. (+/-1s)
Cycle time	6,8,12,24 min. (+/-1s)
Power consumption	≤ 1W
Applicable temperature	0 ℉ -160 ℉ (-18℃-71℃)

UNIVERSAL ELECTRONIC DEFROST TIMERS

UEDT SERIES Universal Adjustable Electronic Defrost Timer
A MUST FOR EVERY TRUCK

Replaces over 2500 Original Part Numbers

Cross Reference Included in Ever Package

available in 120 and 240 Volts

Solid State Design

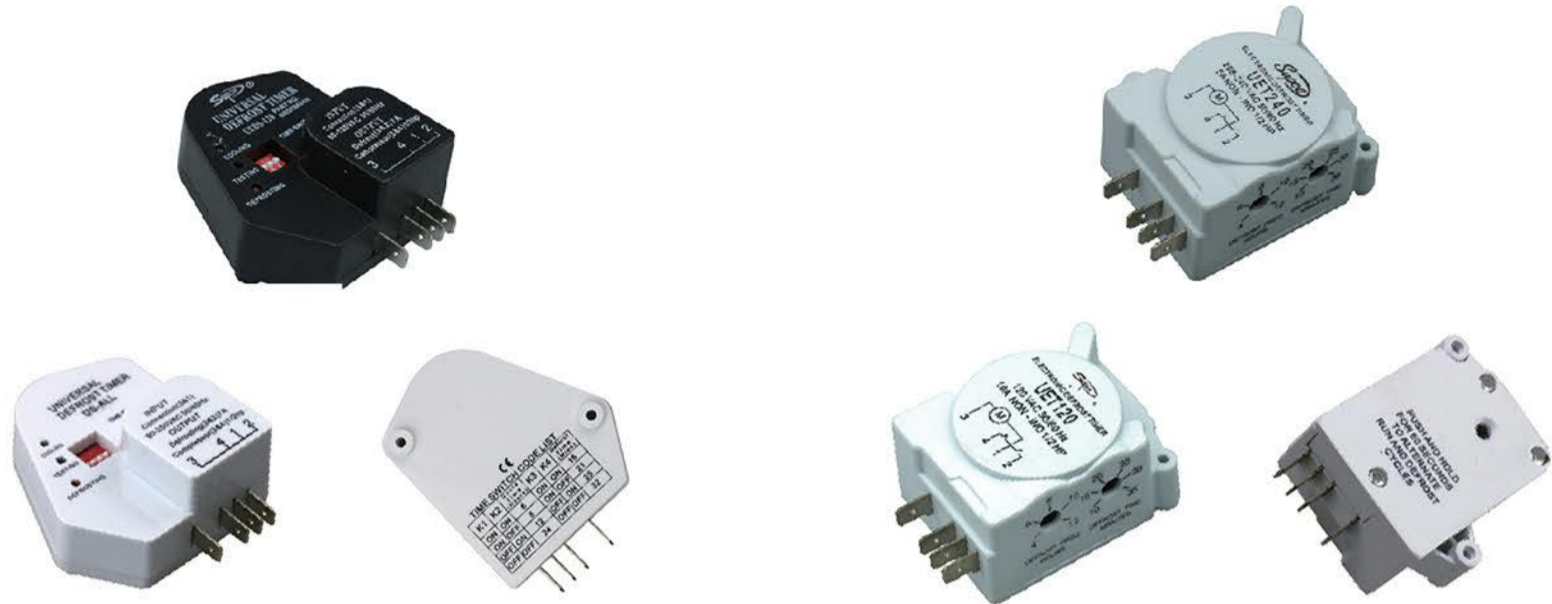
Defrost Frequency 4 To 12 Hours

Defrost Time 10-35



Part No.	Voltage
UEDT120	120
UEDT240	207/240

— Electrical Parts: UEDS/DT/DB Series Defrost Timer

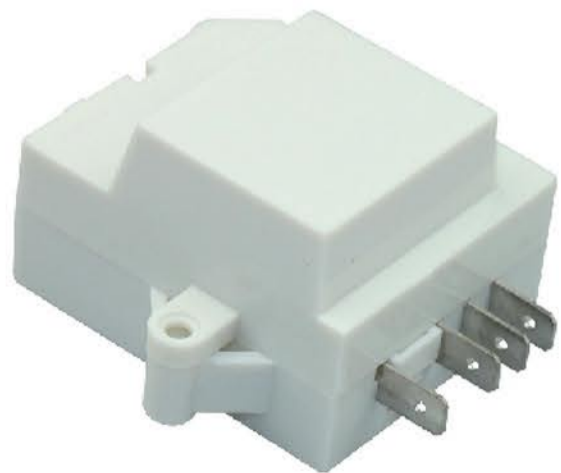


K1	K2	Cycle Time (Hours)	K3	K4	Defrost Time (Hours)
ON	ON	6	ON	ON	15
ON	OFF	8	ON	OFF	21
OFF	ON	12	OFF	ON	25
OFF	OFF	24	OFF	OFF	32

Specification	
Input Voltage	UEDS-120 90-250VAC; 50/60Hz
Connection	
Output Rating	
Max defrosting current	Switch 3~2 10A
Max compressor current	Switch 3~4 1/2hp
Adjustable timing	
Defrost time	15,21,25,32 min. (+/-1s)
Cycle time	6,8,12,24 min. (+/-1s)
Power consumption	≤ 1W
Applicable temperature	0 ℉ -160 ℉ (-18℃ -71℃)

UNIVERSAL ELECTRONIC DEFROST TIMERS
 UEDT SERIES Universal Adjustable Electronic Defrost Timer
 A MUST FOR EVERY TRUCK
 Replaces over 2500 Original Part Numbers
 Cross Reference Included in Ever Package
 available in 120 and 240 Volts
 Solid State Design
 Defrost Frequency 4 To 12 Hours
 Defrost Time 10-35

Part No.	Voltage
UEDT120	120
UEDT240	207/240



Power I: 5A.125V.AC II: 10A.250V.AC

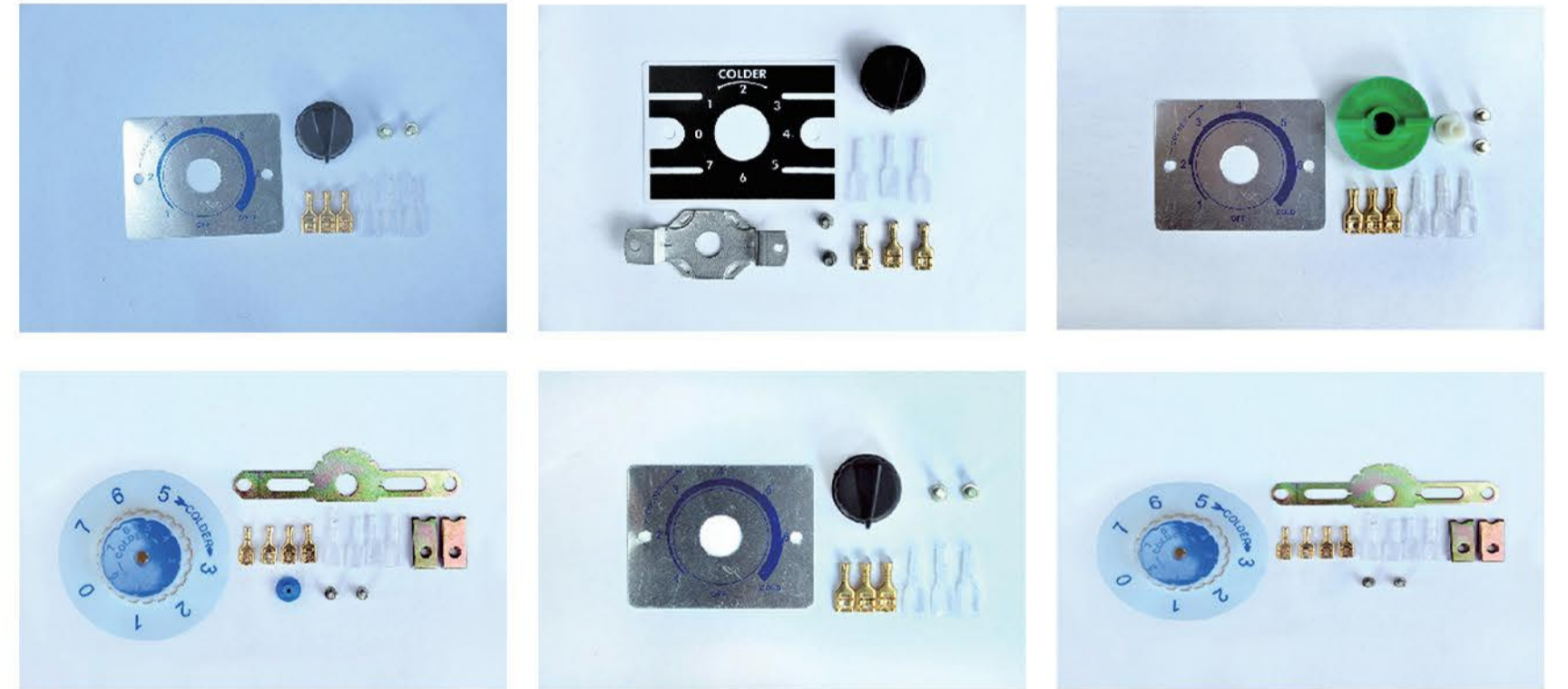
Product	Working Cycle Time		Defrost Time	
	50Hz	60Hz	50Hz	60Hz
UETNM-01	6hr5min±10min	5hr5min±8min20s	25min±5min	20min50s±4min

Voltage power: 10A 125V.AC/5A 250V.AC



Part No.	Voltage	Rating	Load
UEDB-11	115	1/2HP	5Amp
UEDB-11	208/240	1/3HP	10Amp
UEDA-21	115	1/2HP	15Amp
UEDA-21	208/240	1/2HP	20Amp

— Refrigerator, Freezer Defrosting Deodorant Glass Heater



— Sealing Cap Cover for Defrosting Glass Heater



Refrigerator, Freezer Defrosting Deodorant Glass Heater



Refrigerator Defrost and Deodorize Quartz Heater



Refrigerator defrost and deodorize quartz heater Deodorization and deodorization box heater is a kind of heater with strong adsorption performance and catalytic active catalyst coating sprayed on the surface of quartz tube heater. It should be mainly used in refrigerators and freezers with both defrosting and deodorization functions. The catalyst coating at room temperature can adsorb and decompose the refrigerator produced in the dimethyl sulfide and trimethylamine and other odor components, so in normal times it can adsorb odor in the refrigerator. When the refrigerator is electrified in the defrosting process, catalyst oxidation on the surface of the catalyst coating, so that the adsorbent is renewable, at the same time, the adsorbed odor is oxidized into colorless odorless carbon dioxide and water. Through adsorption oxidative decomposition/regeneration re-adsorption reoxidative decomposition/regeneration, continuous cycle work, so as to achieve the removal of the refrigerator odor components and effect.

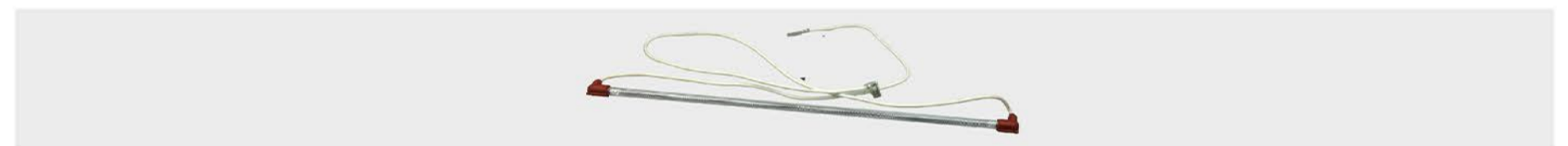
Compared with activated carbon adsorption deodorization method, it can be recycled without periodic replacement, high reliability, life of more than 10 years. Compared with ozone deodorization produced by high voltage discharge, it does not need to install complex ozone generating device, no odor, no erosion of plastic parts in the refrigerator. Therefore, it is widely used in deodorant refrigerators.



Stainless Steel Tube Defrosting Heater



Model	Length	Voltage/power
SH445	23" x 5 1/2"	115/500
SH419	20 1/4" X 3 1/8"	115/425
SH457	20 1/4" X 3 1/8"	115/400
SH439	22 3/4" X 5 1/2"	115/475
SH415	20 1/4" X 6 1/8"	115/440
SH464	21 1/2" X 4	115/400
SH437	24 3/4" X 4	115/500



Model	specifications	Voltage (V)	Power(W)
GH3	25CM	115 VAC/230 VAC	120W/450W
GH3	30CM		
GH3	35CM		
GH3	40CM		
GH3	45CM		
GH3	50CM		
GH3	55CM		
GH3	60CM		



Model	Power(W)	Voltage (V)	TUBE /PCS	specifications
SH-261	550	115	1	21 - 15/16"
SH-263	630	115	1	22 - 3/8"
SH-264	550	115	2	9 - 1/4"
SH-265	625	115	2	11 - 3/8"
SH-266	525	115	1	22 - 9/16"
SH-267	500	115	1	23 - 13/16"
SH-270	550	115	1	25"
SH-271	600	115	2	8 - 3/4"
SH-272	700	115	3	10 - 11/16"
SH-273	775	115	3	8 - 3/4"
SH-274	480	115	2	9 - 3/4"
SH-275	480	115	2	10 - 3/4"
SH-276	550	115	2	11 - 3/8"
SH-277	440	115	1	23 - 5/8"
SH-311	685	115	2	15 - 1/4"

Defrost Temperature Control



The SL series line of exact replacement heavy-duty sealed bimetal disc controls meets the higher electrical requirements of commercial applications. Can handle electrical loads up to 25 amps at 120/240VAC.

Features/Benefits

- Metal case
- Rated 10A/120V, 5A/240V
- Sealed construction provides moisture resistance for moisture prone environments
- High-speed contact separation ensures long contact life
- CE recognized
- See Cross Reference tab for additional numbers

specifications	
Differential:	18°F~30°F
Open (°F):	L.35°F~ L.85°F
Close (°F):	F.15 °F~ F.55°F
Mount:	According to customer requirements
Amperage:	10A 120V AC
Amperage:	5A 250V AC

Digital Display Thermostat for Refrigerator

- Make sure your refrigeration equipment is maintaining the correct holding temperature with the NW-DDT126 temperature control module
- The NW-DDT126 temperature control accurately senses the air temperature within the cabinet and adjusts the cooling cycles as needed. With a properly functioning temperature control, your unit will maintain food-safe holding temperatures and also run more efficiently



Product Display



NW-DDT101



NW-DDT103T



NW-DDT104B



NW-DDT106



NW-DDT181



NW-DDT248UM



NW-DDT150



NW-DDT160



NW-DDT165



NW-DDT418



NW-DDT365P



NW-DDT395ST

Digital Temperature Indicator

Product Parameters

Model	Source of Voltage	Temperature Display Range	Temperature Accuracy	Overall Dimension L*W*D (mm)	Mounted Opening Size L*W (mm)	Temperature Sensor	Features
NW-DTI114	DC 12VAC 110V/230V	-50~150°C	±1°C	77*35*30	71*29	/	· Smooth panel · White character color
NW-DTI115	DC 12VAC 110V/230V	-50~150°C	±1°C	77*35*30	71*29	/	· Yellow character color
NW-DTI200	DC 12VAC 12V/120V/230V	-50~150°C	±1°C	64*31*36	58.5*25.5	/	· Red character color
NW-DTI100P	DC 12VAC 12V/120V/230V	-50~150°C	±1°C	77*35*30	71*29	/	· Red character color
NW-DTI112	AC 220V	-50~150°C	±1°C	137*66*31	125*53.5	NTC*1pcs	· Vertical rectangle panel · Yellow character color
NW-DTI113	AC 220V	-50~150°C	±1°C	137*66*31	125*53.5	NTC*1pcs	· Transverse rectangle · Yellow character color
NW-DPIWP130A	AC 230V,50/60Hz	-50~150°C	±1°C	83*23*39	66*19.5	NTC*1pcs	
NW-DPIWP130B	AC 230V,50/60Hz	-50~150°C	±1°C	69*23*39	66*19.5	NTC*1pcs	· Waterproof design · The red panel is embedded installed,Simple and convenient · Red character color · A type is oval shape panel; B type is transverse rectangle panel
NW-DPIWP100A	AC 230V,50/60Hz	-50~150°C	±1°C	83*23*18	66*19.5	NTC*1pcs	
NW-DPIWP100B	AC 230V,50/60Hz	-50~150°C	±1°C	69*23*18	66*19.5	NTC*1pcs	
NW-DPIFDA	AC 120V/230V ,50/60Hz	-45~99°C	±1°C	170*60*40	/	NTC*1pcs	· White panel · Red character color · Cooling indicator light:the light is on when the compressor is turned on
NW-DPI120	AC 110V/230V ,50/60Hz	-50~99°C	±1°C	118*45*23	/	NTC*1pcs	· White panel · Red character color · Cooling indicator light:the light is on when the compressor is turned on
NW-DPIYS1	DC 1.5VLR44 Button cell*2pcs	-50~110°C	±1°C	48*28.5*15	46.2*26.7	LCD	· Embedded black plastic panel · Black character color and LCD display

Digital Display Thermostat for Refrigerator

- Make sure your refrigeration equipment is maintaining the correct holding temperature with the NW-DDT575 temperature control module
- The NW-DDT575 temperature control accurately senses the air temperature within the cabinet and adjusts the cooling cycles as needed. With a properly functioning temperature control, your unit will maintain food-safe holding temperatures and also run more efficiently



Product Display



NW-DDT575



NW-DDT476SM



NW-DDT783



NW-DDT406



NW-DDT619M



NW-DDT781



NW-DDT283



NW-DDT276



NW-DDT548N



NW-DDT275



NW-DDT205



NW-DDT255

Digital Display Thermostat for Refrigerator

Product Parameters

Model	Electric Relay Type and Specification				Controllable Temperature Range	Accuracy	Overall Dimension L*W*D (mm)	Mounted Opening Size L*W (mm)	Sensor Type / Function / Qty	Other Features	Product Features and Applications
	Compressor relay	Lighting relay	Defrosting relay	Evaporator fan relay							
NW-DDT101	N/O, AC 250V,10A	N/O, AC 250V,6A	/	/	-35~30°C	±1°C	77*35*60	71*29	NTC*1 pcs, Cabinet temperature sensor	Direct cooling High temperature air cooled	
NW-DDT800	N/O, AC 250V,10A	/	/	/	-35~30°C	±1°C	77*35*60	71*29	NTC*1 pcs, Cabinet temperature sensor	Direct cooling High temperature air cooled	· Small size, integrated controller · Waterproof panel · Air cooled defrosting
NW-DDT101S	N/O, AC 250V,30A	/	/	/	-35~30°C	±1°C	77*35*60	71*29	NTC*1 pcs, Cabinet temperature sensor	Direct cooling High temperature air cooled short case	· Application:Kitchen refrigerator, high/low temperature air cooled refrigerator, beverage cooler
NW-DDT105	N/O, AC 250V,20A	/	N/O, AC 250V,10A	N/O, AC 250V,5A	-35~30°C	±1°C	77*35*60	71*29	NTC*1 pcs (Cabinet temperature sensor) Defrosting sensor*1 pcs	Low temperature air cooled	
NW-DDT108	N/O, AC 250V,30A	/	N/O, AC 250V,10A	N/O, AC 250V,5A	-35~30°C	±1°C	77*35*60	71*29	NTC*1 pcs (Cabinet temperature sensor) Defrosting sensor*1 pcs Condenser sensor*1 pcs	Low temperature air cooled Overtemperature alarm for condenser	

Model	Electric Relay Type and Specification			Controllable Temperature Range	Accuracy	Overall Dimension L*W*D (mm)	Mounted Opening Size L*W (mm)	Sensor Type / Function / Qty	Other features	Product features and Applications
	Compressor relay	Defrosting relay	Evaporator fan relay							
NW-DDT101B	N/O AC 250V,30A	/	/	-35~20°C	±1°C	77*35*70	71*29	NTC*1 pcs, Cabinet temperature sensor	Direct cooling, High temperature air cooled, Connecting terminal	· Integrated style
NW-DDT104B	N/O AC 250V,30A	N/O AC 250V,10A	N/O AC 250V,5A	-35~20°C	±1°C	77*35*70	71*29	NTC*1 pcs (Cabinet temperature sensor) Defrosting sensor*1 pcs	Low temperature air cooled, Connecting terminal	· Compressor dedicated relay (30A) · Connecting terminal and plug connector are optional
NW-DDT122B	N/O AC 250V,30A	/	N/O AC 250V,5A	-35~20°C	±1°C	77*35*70	71*29	NTC*1 pcs, Cabinet temperature sensor	Direct cooling, High temperature air cooled, Connecting terminal	· Application:Kitchen refrigerator, high/low temperature air cooled refrigerator, display cooler, beverage cooler
NW-DDT101T	N/O AC 250V,30A	/	/	-35~20°C	±1°C	77*35*70	71*29	NTC*1 pcs, Cabinet temperature sensor	Direct cooling, High temperature air cooled, Plug connector	
NW-DDT105T	N/O AC 250V,30A	N/O AC 250V,10A	N/O AC 250V,5A	-35~20°C	±1°C	77*35*70	71*29	NTC*1 pcs (Cabinet temperature sensor) Defrosting sensor*1 pcs	Low temperature air cooled, Plug connector	

Digital Display Thermostat for Refrigerator

Product Parameters

Model	Electric Relay Type and Specification			Controllable Temperature Range	Accuracy	Overall Dimension L*W*D (mm)	Mounted Opening Size L*W (mm)	Sensor Type / Function / Qty	Other Features	Product Features and Applications
	Compressor Relay	Defrosting Relay	Evaporator Fan Relay							
NW-DDT126	N/O AC 250V,30A	/	/	-35~30°C	±1°C	77*35*84	71*29	NTC*1pcs, Cabinet temperature sensor	Direct cooling, High temperature air cooled	<ul style="list-style-type: none"> · Touch panel,full screen display,extreme touch experience · Plug connector, convenient and reliable · Application: Kitchen refrigerator, high / low temperature air cooled refrigerator, display cooler, beverage cooler
NW-DDT128	N/O AC 250V,30A	N/O AC 250V,10A	N/O AC 250V,10A	-35~30°C	±1°C	77*35*84	71*29	NTC*1pcs (Cabinet temperature sensor) Defrosting sensor*1pcs	Direct cooling, High temperature air cooled	<ul style="list-style-type: none"> · The resolution is 0.1°C. Precise temperature control · Parameters are locked, one-key restore to factory setting values · UL certificated · Application: Kitchen refrigerator, high / low temperature air cooled refrigerator, display cooler, beverage cooler

Model	Electric Relay Type and Specification				Controllable Temperature Range	Accuracy	Overall Dimension L*W*D (mm)	Mounted Opening Size L*W (mm)	Sensor Type / Function / Qty	Other Features	Product features and Applications
	Compressor Relay	Defrosting Relay	Evaporator Fan Relay	Alarm Relay							
NW-DDT106	N/O AC 250V,16A	N/O AC 250V,10A	N/O AC 250V,5A	/	-35~30°C	±1°C	77*35*60	71*29	NTC*1pcs (Cabinet temperature sensor) Defrosting sensor*1pcs	Low temperature air cooled	<ul style="list-style-type: none"> · The resolution is 0.1°C. Precise temperature control · Parameters are locked, one-key restore to factory setting values · UL certificated · Application: Kitchen refrigerator, high / low temperature air cooled refrigerator, display cooler, beverage cooler
NW-DDT330	N/O AC 250V,16A	/	/	/	-35~30°C	±1°C	77*35*60	71*29	NTC*1pcs (Cabinet temperature sensor)	The cooling mode and heating mode can be switched	<ul style="list-style-type: none"> · The resolution is 0.1°C. Precise temperature control · Parameters are locked, one-key restore to factory setting values · UL certificated · Application: Kitchen refrigerator, high / low temperature air cooled refrigerator, display cooler, beverage cooler
NW-DDT330A	N/O AC 250V,16A	/	/	N/O AC 250V,5A	-35~30°C	±1°C	77*35*60	71*29	NTC*1pcs (Cabinet temperature sensor)	The cooling mode and heating mode can be switched. Alarm signal output	<ul style="list-style-type: none"> · The resolution is 0.1°C. Precise temperature control · Parameters are locked, one-key restore to factory setting values · UL certificated · Application: Kitchen refrigerator, high / low temperature air cooled refrigerator, display cooler, beverage cooler

Model	Electric Relay Type and Specification				Controllable Temperature Range	Accuracy	Overall Dimension L*W*D (mm)	Mounted Opening Size L*W (mm)	Sensor Type / Function / Qty	Other Features	Product Features and Applications
	Compressor Relay	Defrosting Relay	Evaporator Fan Relay	Lighting Relay							
NW-DDT378	N/O AC 250V,30A	/	/	/	-35~30°C	±1°C	150*93*45	142.5*85.5	NTC*1pcs (Cabinet temperature sensor)	Direct cooling	<ul style="list-style-type: none"> · Waterproof · Economical integrated style, easy operated, the panel is simple and good looking, and the panel surface sticker can be designed with customer requirements · 30A compressor relay · Application:stainless steel kitchen refrigerator,direct cooling refrigerator
NW-DDT380	N/O AC 250V,30A	N/O AC 250V,12A	N/O AC 250V,10A	N/O AC 250V,10A	-35~30°C	±1°C	150*93*45	142.5*85.5	NTC*1pcs (Cabinet temperature sensor) Defrosting sensor*1pcs Condenser sensor*1pcs	Low temperature air cooled	<ul style="list-style-type: none"> · Waterproof · Economical integrated style, easy operated, the panel is simple and good looking, and the panel surface sticker can be designed with customer requirements · 30A compressor relay · Application:stainless steel kitchen refrigerator,direct cooling refrigerator

Model	Electric Relay Type and Specification		Controllable Temperature Range	Accuracy	Overall Dimension L*W*D (mm)	Mounted Opening Size L*W (mm)	Sensor Type / Function / Qty	Product Features and Applications
	Compressor Relay for Freezing Temperature Zone	Compressor Relay for Refrigerated Temperature Zone						
NW-DDT379	N/O AC 250V,16A	N/O AC 250V,16A	-35~20°C	±1°C	150*93*45	142.5*85.5	NTC*2pcs (freezing temperature zone sensor*1pcs; refrigerated temperature zone sensor*1pcs)	<ul style="list-style-type: none"> · Waterproof · Integrated style, independent power switch, dual-temperature zone and dual controller · The panel surface sticker can be designed with customer requirements · The compressors can be staggered start · Application:stainless steel kitchen refrigerator, direct cooling refrigerator

Digital Display Thermostat for Refrigerator

Product Parameters

Model	Electric Relay Type and Specification	Controllable Temperature Range	Accuracy	Overall Dimension L*W*D (mm)	Mounted Opening Size L*W (mm)	Sensor Type / Function / Qty	Other Features	Product Features and Applications
	Compressor Relay							
NW-DDT241	N/O AC 250V,,30A	-35~30°C	±1°C	142*40*40	138*30.5	NTC*1pcs (Cabinet temperature sensor)	Direct cooling Single temperature	<ul style="list-style-type: none"> Waterproof Economical integrated style,the panel surface sticker can be designed with customer requirements 30A compressor relay Application:stainless steel kitchen refrigerator, direct cooling refrigerator
NW-DDT242	N/O AC 250V,16A*2pcs	-35~30°C	±1°C	142*40*40	138*30.5	NTC*2pcs (Two temperature sensor for each cabinet)	Direct cooling Dual temperature	

Model	Electric Relay Type and Specification					Controllable Temperature Range	Accuracy	Overall Dimension L*W*D (mm)	Mounted Opening Size L*W (mm)	Sensor Type / Function / Qty	Other Features	Product Features and Applications
	Compressor Relay	Defrosting Relay	Evaporator Fan Relay	Lighting Relay	Door Frame Heating wire Relay							
NW-DDT234	N/O AC 250V,30A (1HP)	N/O AC 250V,16A	N/O AC 250V,10A	N/O AC 250V,10A	N/O AC 250V,10A	-35~20°C	±0.1°C	168*53*30	161.5*47.5	NTC*1pcs (Cabinet temperature sensor) Defrosting sensor*1pcs	Electric heating, defrost with hot air	<ul style="list-style-type: none"> Waterproof Economical integrated style, the panel surface sticker can be designed with customer requirements 30A compressor relay Application: stainless steel kitchen refrigerator, direct cooling refrigerator

Model	Electric Relay Type and Specification		Controllable Temperature Range	Accuracy	Overall Dimension L*W*D (mm)	Mounted Opening Size L*W (mm)	Sensor Type / Function / Qty	Other Features	Product features and Applications
	Compressor Relay	Lighting Relay							
NW-DDT261A	N/O AC 250V,16A	/	-40~40°C	±1°C	142*40*42	138*32.5	NTC*1pcs (Cabinet temperature sensor)	Direct cooling, High temperature air cooled	<ul style="list-style-type: none"> Waterproof Integrated style, only 40mm in depth 30A compressor relay Application: kitchen refrigerator, display cooler, beverage cooler
NW-DDT261L	N/O AC 250V,30A	N/O AC 250V,16A	-40~40°C	±1°C	142*40*42	138*32.5	NTC*1pcs (Cabinet temperature sensor)	Direct cooling, High temperature air cooled	

Model	Electric Relay Type and Specification				Controllable Temperature Range	Accuracy	Overall Dimension L*W*D (mm)	Mounted Opening Size L*W (mm)	Sensor Type / Function / Qty	Product Features and Applications
	Compressor Relay	Defrosting Relay	Evaporator Fan Relay	Lighting Relay						
NW-DDT415P	N/O AC 250V,30A	N/O AC 250V,16A	N/O AC 250V,10A	N/O AC 250V,10A	-35~20°C	±0.1°C	150*124*30	138*108	NTC*1pcs (Cabinet temperature sensor) Defrosting sensor*1pcs	<ul style="list-style-type: none"> Split type Large LCD display screen with blue backlight Large character with white color External control box, convenient wiring Application: Kitchen refrigerator, high / low temperature air cooled cooler, display refrigerator

Digital Display Thermostat for Refrigerator

Product Parameters

Model	Electric Relay Type and Specification				Controllable Temperature Range	Accuracy	Overall Dimension L*W*D (mm)	Mounted Opening Size L*W (mm)	Sensor Type / Function / Qty	Other Features	Product Features and Applications
	Compressor Relay	Defrosting Relay	Evaporator Fan Relay	Lighting Relay							
NW-DDT276	N/O AC 250V,30A	/	/	/	-40~20°C	±1°C	230*54*27	225*49	NTC*1pcs (Cabinet temperature sensor)	Direct cooling, High temperature air cooled.	· Waterproof · Glass-like panel with simple designed, high grade high grade outer looking
NW-DDT273A	N/O AC 250V,30A	N/O AC 250V,12A	/	N/O AC 250V,10A	-40~20°C	±1°C	230*54*27	225*49	NTC*1pcs (Cabinet temperature sensor)	High temperature air cooled.	· Big characte in white color and illuminated button
NW-DDT278	N/O AC 250V,30A	N/O AC 250V,12A	N/O AC 250V,10A	N/O AC 250V,10A	-40~20°C	±1°C	230*54*27	225*49	NTC*1pcs (Cabinet temperature sensor) Defrosting sensor*1pcs	Low temperature air cooled, Electric heating,defrost with hot air.	· Application: kitchen refrigerator, wine refrigerator, display cooler, beverage cooler

Model	Electric Relay Type and Specification				Controllable Temperature Range	Accuracy	Overall Dimension L*W*D (mm)	Mounted Opening Size L*W (mm)	Sensor Type / Function / Qty	Other Features	Product Features and Applications
	Compressor Relay	Defrosting Relay	Evaporator Fan Relay	Lighting Relay							
NW-DDT361P	N/O AC 250V,30A	/	/	/	-45~45°C	±1°C	150*93*30	142.5*85.5	NTC*1pcs (Cabinet temperature sensor)	Direct cooling,button type	· Waterproof · Glass-like panel with regular overall size
NW-DDT363P	N/O AC 250V,30A	/	N/O AC 250V,10A	N/O AC 250V,10A	-45~45°C	±1°C	150*93*30	142.5*85.5	NTC*1pcs (Cabinet temperature sensor)	Middle and high temperature air cooled,button type	· Big characte in white color and illuminated button
NW-DDT365P	N/O AC 250V,30A	N/O AC 250V,10A	N/O AC 250V,10A	N/O AC 250V,10A	-45~45°C	±1°C	150*93*30	142.5*85.5	NTC*1pcs (Cabinet temperature sensor) Defrosting sensor*1pcs	Low temperature air cooled, button type	· Application: Stainless steel kitchen refrigerator, cold room, low temperature air cooled cooler
NW-DDT365	N/O AC 250V,30A	N/O AC 250V,10A	N/O AC 250V,10A	/	-45~45°C	±1°C	150*93*30	142.5*85.5	NTC*1pcs (Cabinet temperature sensor) Defrosting sensor*1pcs	Low temperature air cooled, touch screen type	

Model	Electric Relay Type and Specification				Controllable Temperature Range	Accuracy	Overall Dimension L*W*D (mm)	Mounted Opening Size L*W (mm)	Sensor Type / Function / Qty	Other Features	Product Features and Applications
	Compressor Relay	Defrosting Relay	Evaporator Fan Relay	Lighting Relay							
NW-DDT255	N/O AC 250V,30A	N/O AC 250V,16A	N/O AC 250V,10A	N/O AC 250V,10A	-35~20°C	±1°C	241.5*72*48.5	234.5*65	NTC*1pcs (Cabinet temperature sensor) Defrosting sensor*1pcs	Low temperature air cooled.	· Waterproof · Glass-like panel with large overall size
NW-DDT253	N/O AC 250V,30A	/	/	/	-35~20°C	±1°C	241.5*72*48.5	234.5*65	NTC*1pcs (Cabinet temperature sensor)	Direct cooling,Single temperature	· Big characte in white color and illuminated button
NW-DDT254	N/O AC 250V,16A*2	/	/	/	-35~20°C	±1°C	241.5*72*48.5	234.5*65	NTC*2pcs (freezing temperature zone sensor*1pcs; refrigerated temperature zone sensor*1pcs)	Direct cooling,Dual temperature	· Application: Stainless steel kitchen refrigerator, cold room, low temperature air cooled cooler

Digital Display Thermostat for Refrigerator

Product Parameters

Model	Electric Relay Type and Specification					Controllable Temperature Range	Accuracy	Overall Dimension L*W*D (mm)	Mounted Opening Size L*W (mm)	Sensor Type / Function / Qty	Other Features	Product Features and Applications
	Compressor Relay	Lighting Relay	Defrosting Relay	Defogging Relay	Defogging Relay							
NW-DDT353	N/O AC 250V,30A	N/O AC 250V,10A	/	N/O AC 250V,10A	/	-45~50°C	±1°C	142.5*40*46	138*32.5	NTC*1pcs, Cabinet temperature sensor	High temperature air cooled	
NW-DDT353F	N/O AC 250V,30A	N/O AC 250V,10A	/	N/O AC 250V,10A	N/O AC 250V,10A	-45~50°C	±1°C	142.5*40*46	138*32.5	NTC*1pcs, Cabinet temperature sensor	High temperature air cooled	<ul style="list-style-type: none"> · Button type · Short case · Brushed silver panel · Application: Beverage cooler, display refrigerator, beer cooler
NW-DDT354	N/O AC 250V,30A	/	N/O AC 250V,10A	N/O AC 250V,10A	/	-45~50°C	±1°C	142.5*40*46	138*32.5	NTC*1pcs, Cabinet temperature sensor	Low temperature air cooled	
NW-DDT355	N/O AC 250V,30A	N/O AC 250V,5A	N/O AC 250V,10A	N/O AC 250V,5A	N/O AC 250V,10A	-45~50°C	±1°C	142.5*40*46	138*32.5	NTC*1pcs (Cabinet temperature sensor) Defrosting sensor*1pcs	Low temperature air cooled	
NW-DDT353S	N/O AC 250V,30A	N/O AC 250V,10A	/	N/O AC 250V,10A	N/O AC 250V,10A	-45~50°C	±1°C	142.5*40*46	138*32.5	NTC*1pcs (Cabinet temperature sensor)	High temperature air cooled, split type	

Model	Electric Relay Type and Specification					Controllable Temperature Range	Accuracy	Overall Dimension L*W*D (mm)	Mounted Opening Size L*W (mm)	Sensor Type / Function / Qty	Other Features	Product Features and Applications
	Compressor Relay	Lighting Relay	Defrosting Relay	Defogging Relay	Defogging Relay							
NW-DDT343	N/O AC 250V,30A	N/O AC 250V,10A	/	N/O AC 250V,10A	/	-45~50°C	±1°C	142.5*40*46	138*32.5	NTC*1pcs, Cabinet temperature sensor	High temperature air cooled	
NW-DDT343F	N/O AC 250V,30A	N/O AC 250V,10A	/	N/O AC 250V,10A	N/O AC 250V,10A	-45~50°C	±1°C	142.5*40*46	138*32.5	NTC*1pcs, Cabinet temperature sensor	High temperature air cooled	<ul style="list-style-type: none"> · Touch button with backlight · Short case · Application: Beverage cooler, display refrigerator, beer cooler
NW-DDT345	N/O AC 250V,30A	N/O AC 250V,5A	N/O AC 250V,10A	N/O AC 250V,5A	N/O AC 250V,10A	-45~50°C	±1°C	142.5*40*46	138*32.5	NTC*1pcs (Cabinet temperature sensor) Defrosting sensor*1pcs	Low temperature air cooled	
NW-DDT343S	N/O AC 250V,30A	N/O AC 250V,5A	/	N/O AC 250V,10A	/	-45~50°C	±1°C	142.5*40*46	138*32.5	NTC*1pcs (Cabinet temperature sensor)	High temperature air cooled, split type	
NW-DDT345S	N/O AC 250V,30A	N/O AC 250V,10A	N/O AC 250V,10A	N/O AC 250V,10A	N/O AC 250V,10A	-45~50°C	±1°C	142.5*40*46	138*32.5	NTC*1pcs (Cabinet temperature sensor) Defrosting sensor*1pcs	Low temperature air cooled, split type	

Digital Display Thermostat for Refrigerator

Product Parameters

Model	Electric Relay Type and Specification					Controllable Temperature Range	Accuracy	Overall Dimension L*W*D (mm)	Mounted Opening Size L*W (mm)	Sensor Type / Function / Qty	Other Features	Product Features and Applications
	Compressor Relay	Lighting Relay	Defrosting Relay	Evaporator Fan Relay	Defogging Relay							
NW-DDT201	N/O AC 250V,30A	/	/	/	/	-45~-50°C	±1°C	142*40*40	138*32.5	NTC*1pcs, Cabinet temperature sensor	Direct cooling	
NW-DDT203	N/O AC 250V,30A	N/O AC 250V,5A	/	N/O AC 250V,5A	/	-45~-50°C	±1°C	142*40*40	138*32.5	NTC*1pcs, Cabinet temperature sensor	High temperature air cooled	· Waterproof and moisture-proof · Regular overall size with short case, easy to be installed
NW-DDT203F	N/O AC 250V,30A	N/O AC 250V,5A	/	N/O AC 250V,5A	N/O AC 250V,10A	-45~-50°C	±1°C	142*40*40	138*32.5	NTC*1pcs, Cabinet temperature sensor	Low temperature air cooled	· Application: Kitchen refrigerator, beverage cooler, display refrigerator, wine refrigerator
NW-DDT204	N/O AC 250V,30A	/	N/O AC 250V,10A	N/O AC 250V,5A	/	-45~-50°C	±1°C	142*40*40	138*32.5	NTC*1pcs (Cabinet temperature sensor) Defrosting sensor*1pcs	Low temperature air cooled	
NW-DDT205	N/O AC 250V,30A	N/O AC 250V,5A	N/O AC 250V,10A	N/O AC 250V,5A	N/O AC 250V,10A	-45~-50°C	±1°C	142*40*40	138*32.5	NTC*1pcs (Cabinet temperature sensor) Defrosting sensor*1pcs	High temperature air cooled	

Model	Electric Relay Type and Specification					Controllable Temperature Range	Accuracy	Overall Dimension L*W*D (mm)	Mounted Opening Size L*W (mm)	Sensor Type / Function / Qty	Other Features	Product Features and Applications
	Compressor Relay	Lighting Relay	Defrosting Relay	Evaporator Fan Relay								
NW-DDT271	N/O AC 250V,20A	/	/	/	/	-45~-30°C	±1°C	230*54*27	225*49	NTC*1pcs, Cabinet temperature sensor	Direct cooling	
NW-DDT273	N/O AC 250V,30A	N/O AC 250V,10A	/	N/O AC 250V,10A	/	-45~-30°C	±1°C	230*54*27	225*49	NTC*1pcs, Cabinet temperature sensor	High temperature air cooled	· Split type · External control box, convenient wiring · Large character with blue color
NW-DDT275	N/O AC 250V,30A	N/O AC 250V,10A	N/O AC 250V,12A	N/O AC 250V,10A	/	-45~-30°C	±1°C	230*54*27	225*49	NTC*1pcs (Cabinet temperature sensor) Defrosting sensor*1pcs	Low temperature air cooled	· Application: Kitchen refrigerator, high / low temperature air cooled cooler, display refrigerator
NW-DDT272	N/O AC 250V,30A*1pcs N/O AC 250V,10A*1pcs	/	/	/	/	-45~-30°C	±1°C	230*54*27	225*49	NTC*2pcs (freezing temperature zone sensor*1pcs; refrigerated temperature zone sensor*1pcs)	Direct cooling,dual temperature	

Digital Display Thermostat for Refrigerator

Product Parameters

Model	Electric Relay Type and Specification					Controllable Temperature Range	Accuracy	Overall Dimension L*W*D(mm)	Mounted Opening Size L*W(mm)	Sensor Type / Function / Qty	Other Features	Product Features and Applications
	Compressor relay	Defrosting relay	Evaporator fan relay	Lighting relay	Defogging relay							
NW-DDT283	N/O AC 250V,30A	/	N/O AC 250V,10A	N/O AC 250V,10A	/	-45~45°C	±1°C	178*31*34	172*26	NTC*1pcs (Cabinet temperature sensor)	High temperature air cooled	<ul style="list-style-type: none"> · Split type · External control box, convenient wiring · Application: Air curtain cooler, wine refrigerator, beverage cooler, display refrigerator
NW-DDT283F	N/O AC 250V,30A	/	N/O AC 250V,10A	N/O AC 250V,10A	N/O AC 250V,10A	-45~45°C	±1°C	178*31*34	172*26	NTC*1pcs (Cabinet temperature sensor)	High temperature air cooled	
NW-DDT285	N/O AC 250V,30A	N/O AC 250V,10A	N/O AC 250V,10A	N/O AC 250V,10A	N/O AC 250V,10A	-45~45°C	±1°C	178*31*34	172*26	NTC*1pcs (Cabinet temperature sensor) Defrosting sensor*1pcs	Low temperature air cooled	

Model	Electric Relay Type and Specification					Controllable Temperature Range	Accuracy	Overall Dimension L*W*D(mm)	Mounted Opening Size L*W(mm)	Sensor Type / Function / Qty	Other Features	Product Features and Applications
	Compressor relay	Defrosting relay	Evaporator fan relay	Lighting relay	Defogging relay							
NW-DDT191	N/O AC 250V,30A	/	/	/	/	-45~120°C	±1°C	150*124*30	138*108	NTC*1pcs (Cabinet temperature sensor)		<ul style="list-style-type: none"> · Split type · Large size panel with yellow character color · External control box, convenient wiring. · Application: Kitchen refrigerator, high / low temperature air cooled cooler, direct cooling cooler
NW-DDT192	N/O AC 250V,16A*2	/	/	/	/	-45~120°C	±1°C	150*124*30	138*108	NTC*2pcs (freezing temperature zone sensor*1pcs; refrigerated temperature zone sensor*1pcs)		
NW-DDT195	N/O AC 250V,30A	N/O AC 250V,10A	N/O AC 250V,10A	N/O AC 250V,10A	N/O AC 250V,10A	-45~120°C	±1°C	150*124*30	138*108	NTC*1pcs (Cabinet temperature sensor) Defrosting sensor*1pcs		

Model	Electric Relay Type and Specification					Controllable Temperature Range	Accuracy	Overall Dimension L*W*D(mm)	Mounted Opening Size L*W(mm)	Sensor Type / Function / Qty	Other Features	Product Features and Applications
	Compressor relay	Defrosting relay	Evaporator fan relay	Lighting relay	Defogging relay							
NW-DDT381	N/O AC 250V,30A	/	/	/	/	-35~30°C	±1°C	150*93*45	142.5*85.5	NTC*1pcs (Cabinet temperature sensor)	Direct cooling	<ul style="list-style-type: none"> · Split type · External control box, convenient wiring · Automatic defrosting with intelligent setting · Application: Kitchen refrigerator, high / low temperature air cooled cooler, display refrigerator, beverage cooler
NW-DDT383	N/O AC 250V,30A	/	N/O AC 250V,10A	N/O AC 250V,10A	N/O AC 250V,10A	-35~30°C	±1°C	150*93*45	142.5*85.5	NTC*1pcs (Cabinet temperature sensor)	High temperature air cooled	
NW-DDT385	N/O AC 250V,30A	N/O AC 250V,12A	N/O AC 250V,10A	/	/	-35~30°C	±1°C	150*93*45	142.5*85.5	NTC*1pcs (Cabinet temperature sensor) Defrosting sensor*1pcs	Low temperature air cooled	
NW-DDT385SP	N/O AC 250V,30A	N/O AC 250V,12A	N/O AC 250V,10A	/	/	-35~30°C	±1°C	150*93*45	142.5*85.5	NTC*1pcs (Cabinet temperature sensor) Defrosting sensor*1pcs	Low temperature air cooled, split type	

Digital Display Thermostat for Refrigerator

Product Parameters

Model	Electric Relay Type and Specification					Controllable Temperature Range	Accuracy	Overall Dimension L*W*D(mm)	Mounted Opening Size L*W(mm)	Sensor Type / Function / Qty	Other Features	Product Features and Applications
	Compressor Relay	Lighting Relay	Defrosting Relay	Evaporator Fan Relay	Defogging Relay							
NW-DDT371	N/O AC 250V,30A	/	/	/	/	-35~30°C	±1°C	150*93*45	142.5*85.5	NTC*1pcs, Cabinet temperature sensor	Direct cooling	
NW-DDT373	N/O AC 250V,30A	N/O AC 250V,10A	/	N/O AC 250V,10A	N/O AC 250V,10A	-35~30°C	±1°C	150*93*45	142.5*85.5	NTC*1pcs, Cabinet temperature sensor	High temperature air cooled	<ul style="list-style-type: none"> · Split type · External control box, convenient wiring · Automatic defrosting with intelligent setting
NW-DDT375	N/O AC 250V,30A	/	N/O AC 250V,12A	N/O AC 250V,10A	/	-35~30°C	±1°C	150*93*45	142.5*85.5	NTC*1pcs (Cabinet temperature sensor) Defrosting sensor*1pcs	Low temperature air cooled.	<ul style="list-style-type: none"> · Application: Cake display refrigerator, high / low temperature air cooled cooler
NW-DDT373SP	N/O AC 250V,30A	N/O AC 250V,10A	/	N/O AC 250V,10A	N/O AC 250V,10A	-35~30°C	±1°C	150*93*45	142.5*85.5	NTC*1pcs (Cabinet temperature sensor)	High temperature air cooled,split type	
NW-DDT376SP	N/O AC 250V,30A	N/O AC 250V,10A	N/O AC 250V,10A	N/O AC 250V,10A	N/O AC 250V,10A	-35~30°C	±1°C	150*93*45	142.5*85.5	NTC*1pcs (Cabinet temperature sensor) Defrosting sensor*1pcs	Low temperature air cooled,split type	

Model	Electric Relay Type and Specification			Controllable Temperature Range	Accuracy	Overall Dimension L*W*D(mm)	Mounted Opening Size L*W(mm)	Sensor Type / Function / Qty	Product Features and Applications
	Compressor Relay	Defrosting Relay	Evaporator Fan Relay						
NW-DDT395ST	N/O AC 250V,30A	N/O AC 250V,12A	N/O AC 250V,10A	-35~30°C	±0.1°C	150*93*45	142.5*85.5	NTC*1pcs (Cabinet temperature sensor) Defrosting sensor*1pcs	<ul style="list-style-type: none"> · 2.8" color screen with CN/EN menu · Touch button · Application: Upmarket refrigerator, cold room, high / low temperature air cooled cooler

Model	Electric Relay Type and Specification		Controllable Temperature Range	Accuracy	Overall Dimension L*W*D(mm)	Mounted Opening Size L*W(mm)	Sensor Type / Function / Qty	Other Features	Product Features and Applications
	Compressor Relay	Lighting Relay							
NW-DDT781P	N/O AC 250V,30A	/	-35~30°C	±1°C	208*64*40	192.5*58	NTC*1pcs (Cabinet temperature sensor)	Direct cooling,button type	<ul style="list-style-type: none"> · Waterproof and moistureproof · Touch screen type or button type
NW-DDT782P	N/O AC 250V,30A	N/O AC 250V,3A	-35~30°C	±1°C	208*64*40	192.5*58	NTC*1pcs (Cabinet temperature sensor)	High temperature air cooled,button type	<ul style="list-style-type: none"> · Cooling condition indication icon · Application: Kitchen refrigerator, direct cooling cooler
NW-DDT781	N/O AC 250V,30A	/	-35~30°C	±1°C	208*64*40	192.5*58	NTC*1pcs (Cabinet temperature sensor)	Direct cooling,touch button	

Digital Display Thermostat for Refrigerator Product Parameters

Model	Electric Relay Type and Specification			Controllable Temperature Range	Accuracy	Overall Dimension L*W*D(mm)	Mounted Opening Size L*W(mm)	Sensor Type / Function / Qty	Product Features and Applications
NW-DDT783P	Compressor Relay N/O AC 250V,30A	Defrosting Relay N/O AC 250V,10A	Lighting Relay N/O AC 250V,8A	-35~30°C	±0.1°C	208*64*73	192.5*58	NTC*1pcs (Cabinet temperature sensor) Defrosting sensor*1pcs	<ul style="list-style-type: none"> Waterproof and moistureproof Touch screen type or button type Cooling condition indication icon Automatic defrosting Application:Kitchen refrigerator,cold room,low temperature air cooled cooler

Model	Electric Relay Type and Specification				Controllable Temperature Range	Accuracy	Overall Dimension L*W*D(mm)	Mounted Opening Size L*W(mm)	Sensor Type / Function / Qty	Other Features	Product Features and Applications
NW-DDT751P	Compressor Relay N/O AC 250V,30A*1pcs	Lighting Relay /	Defrosting Relay /	Evaporator Fan Relay /	-35~30°C	±1°C	208*64*72.5	192.5*58	NTC*2pcs (freezing temperature zone sensor*1pcs; refrigerated temperature zone sensor*1pcs)	Direct cooling, button type,dual temerature	<ul style="list-style-type: none"> Waterproof and moistureproof Dual-temperature zone and dual controller
NW-DDT753P	(Freezed compressor) N/O AC 250V,10A*1	N/O AC 250V,8A	N/O AC 250V,10A	N/O AC 250V,8A	-35~30°C	±1°C	208*64*72.5	192.5*58	NTC*2pcs (freezing temperature zone sensor*1pcs; refrigerated temperature zone sensor*1pcs) Defrosting sensor*1pcs	Air cooled,button type, dual temerature	<ul style="list-style-type: none"> The compressors can be staggered start Application: Kitchen refrigerator, direct cooling refrigerator
NW-DDT751	(Refrigerated compressor)	/	/	/	-35~30°C	±1°C	208*64*72.5	192.5*58	NTC*2pcs (freezing temperature zone sensor*1pcs; refrigerated temperature zone sensor*1pcs)	Direct cooling,touch screen type, dual temerature	

Model	Electric Relay Type and Specification					Controllable Temperature Range	Accuracy	Overall Dimension L*W*D(mm)	Mounted Opening Size L*W(mm)	Sensor Type / Function / Qty	Other Features	Product Features and Applications
NW-DDT418	Compressor Relay N/O AC 250V,30A	Defrosting Relay N/O AC 250V,16A	Lighting Relay N/O AC 250V,10A	Evaporator Fan Relay N/O AC 250V,10A	Defogging Relay N/O AC 250V,10A	-35~20°C	±1°C	149.5*124*30	138*108	NTC*1pcs (Cabinet temperature sensor) Defrosting sensor*1pcs	Low temperature air cooled	<ul style="list-style-type: none"> Integrated type Big characte in white color Automatic defrosting with intelligent setting One-key restore to factory setting values Application: Kitchen refrigerator, high / low temperature air cooled cooler, display refrigerator, cold room, commercial water chiller

Model	Electric Relay Type and Specification		Controllable Temperature Range	Accuracy	Overall Dimension L*W*D(mm)	Mounted Opening Size L*W(mm)	Sensor Type / Function / Qty	Other Features	Product Features and Applications
NW-DDT786	Compressor Relay N/O AC 250V,30A		-35~30°C	±1°C	208*64*40	192.5*58	NTC*1pcs (Cabinet temperature sensor)	Direct cooling,singlet temerature	<ul style="list-style-type: none"> Integrated type with intelligent design
NW-DDT786A	N/O AC 250V,16A		-35~30°C	±1°C	208*64*40	192.5*58	NTC*1pcs (Cabinet temperature sensor)	Direct cooling,singlet temerature	<ul style="list-style-type: none"> Easy to operate Application: Kitchen refrigerator, direct cooling cooler
NW-DDT756	N/O AC 250V,16A*2		-35~30°C	±1°C	208*64*40	192.5*58	NTC*2pcs (freezing temperature zone sensor*1pcs; refrigerated temperature zone sensor*1pcs)	Direct cooling,dual temerature	

Digital Display Thermostat for Refrigerator

Product Parameters

Model	Electric Relay Type and Specification	Controllable Temperature Range	Accuracy	Overall Dimension L*W*D(mm)	Mounted Opening Size L*W(mm)	Sensor Type / Function / Qty	Other Features	Product Features and Applications
	Compressor Relay							
NW-DDT160	N/O AC 250V,16A	-45~99°C	±1°C	121*45*40	112*39	NTC*1pcs (Cabinet temperature sensor)	Direct cooling,single temperature	<ul style="list-style-type: none"> · Metal rotary knob, the temperature range of control as user's wish · Intelligent encoder · Application: Kitchen refrigerator, direct cooling cooler
NW-DDT165	N/O AC 250V,16A*2	-45~99°C	±1°C	137*59*50	112*39	NTC*2pcs (freezing temperature zone sensor*1pcs; refrigerated temperature zone sensor*1pcs)	Direct cooling,dual temperature	
NW-DDT160L	N/O AC 250V,30A	-45~99°C	±1°C	121*45*40	112*39	NTC*1pcs (Cabinet temperature sensor)	Direct cooling,single temperature	

Model	Electric Relay Type and Specification	Controllable Temperature Range	Accuracy	Overall Dimension L*W*D(mm)	Mounted Opening Size L*W(mm)	Sensor Type / Function / Qty	Product Features and Applications
	Compressor Relay						
NW-DDT150	N/O AC 250V,30A	-35~20°C	±1°C	137*59*60	112.5*39.5	NTC*1pcs (Cabinet temperature sensor)	<ul style="list-style-type: none"> · The temperature range of control as user's wish · Intelligent encoder · Application: Kitchen refrigerator, direct cooling cooler

Model	Electric Relay Type and Specification	Controllable Temperature Range	Accuracy	Overall Dimension L*W*D(mm)	Mounted Opening Size L*W(mm)	Sensor Type / Function / Qty	Product Features and Applications
	Compressor Relay						
NW-DDT181	N/O AC 250V,16A	-35~30°C	±1°C	77*35*62	71*29	NTC*1pcs (Cabinet temperature sensor)	<ul style="list-style-type: none"> · Waterproof · Integrated type · Plug connector for wiring · Application: Kitchen refrigerator, direct cooling cooler

Model	Electric Relay Type and Specification			Controllable Temperature Range	Accuracy	Overall Dimension L*W*D(mm)	Mounted Opening Size L*W(mm)	Sensor Type / Function / Qty	Product Features and Applications
	Compressor Relay	Lighting Relay	Evaporator Fan Relay						
NW-DDT103TES	N/O AC 250V,30A	N/O AC 250V,10A	N/O AC 250V,10A	-35~30°C	±1°C	77*35*30	71*29	NTC*1pcs (Cabinet temperature sensor)	<ul style="list-style-type: none"> · Energy saving thermostat · The clock sets the energy saving time period · Automatically adjust and control the temperature, automatically control the lighting to turn on · Application: Beverage cooler, display refrigerator, beer cooler

Digital display thermostat for refrigerator

Product Parameters

Model	Electric Relay Type and Specification						Controllable Temperature Range	Accuracy	Overall Dimension L*W*D(mm)	Mounted Opening Size L*W(mm)	Sensor Type / Function / Qty	Other Features	Product Features and Applications
	Compressor Relay	Lighting Relay	Defrosting Relay	Evaporator Fan Relay	Alarm Relay	Door Switch							
NW-DDT406ES	N/O AC 250V,30A	N/O AC 250V,5A	N/O AC 250V,10A	N/O AC 250V,5A	/	YES	-35~30°C	±1°C	77*35*70	71*29	NTC*1pcs (Cabinet temperature sensor) Defrosting sensor*1pcs	Low temperature air cooled	<ul style="list-style-type: none"> · Energy saving thermostat · Door switch detection · Overtemperature alarm for condenser · Application: Beverage cooler, display refrigerator, beer cooler
NW-DDT401ES	N/O AC 250V,30A	N/O AC 250V,5A	/	/	/	YES	-35~30°C	±1°C	77*35*70	71*29	NTC*1pcs, Cabinet temperature sensor	Direct cooling, High temperature air cooled	
NW-DDT402ES	N/O AC 250V,30A	N/O AC 250V,5A	/	N/O AC 250V,5A	/	YES	-35~30°C	±1°C	77*35*70	71*29	NTC*1pcs (Cabinet temperature sensor) Defrosting sensor*1pcs	High temperature air cooled	
NW-DDT405ES	N/O AC 250V,30A	/	N/O AC 250V,10A	N/O AC 250V,5A	N/O AC 250V,5A	NO	-35~30°C	±1°C	77*35*70	71*29	NTC*1pcs (Cabinet temperature sensor) Defrosting sensor*1pcs Condenser sensor*1pcs	Low temperature air cooled	

Model	Electric Relay Type and Specification					Controllable Temperature Range	Controllable Humidity Range	Overall Dimension L*W*D(mm)	Display Screen Overall Dimension L*W(mm)	Sensor Type / Function / Qty	Other Features	Product Features and Applications
	Compressor Relay	Heater Relay	Fan Relay	Lighting Relay	Sterilization Relay							
NW-DDT546N	N/O AC 250V,30A	N/O AC 250V,10A	N/O AC 250V,8A*1pcs	N/O AC 250V,8A	/	15~25°C	1~99%RH	208*64*72.5	192.5*58	NTC*1pcs (Cabinet temperature sensor) Defrosting sensor*1pcs	High temperature air cooled, single temperature	<ul style="list-style-type: none"> · LCD display screen with blue backlight · Character with white color · Automatic heating and cooling, dehumidification and humidification, high and low temperature alarm · CN/EN menu · Application: Wine cooler, cigar refrigerator, display refrigerator
NW-DDT547N	N/O AC 250V,30A	N/O AC 250V,10A	N/O AC 250V,8A*3pcs	N/O AC 250V,8A	/	15~25°C	1~99%RH	208*64*72.5	192.5*58	NTC*2pcs (Cabinet1 temperature sensor*1pcs, Cabinet2 temperature sensor*1pcs.) Defrosting sensor*1pcs	High temperature air cooled, single temperature	
NW-DDT548N	N/O AC 250V,30A	N/O AC 250V,10A	N/O AC 250V,10A*2pcs	N/O AC 250V,10A	N/O AC 250V,10A	15~25°C	1~99%RH	208*64*72.5	192.5*58	NTC*1pcs (Cabinet temperature sensor) Defrosting sensor*1pcs	High temperature air cooled,temperature and humidity control	

Digital Display Thermostat for Quick Freezer

- Digital display thermostat for medical refrigeration
- For medical, pharmacy, healthcare, laboratory to used Pharmaceutical specimen, and vaccine With optimal temperature, accurate cold condition, and other special features



Product Display



NW-DDT126



NW-DDT548N



NW-DDT330



NW-DDT330A



NW-DDT371



NW-DDT261A



NW-DDT345



NW-DDT355



NW-DDT486



NW-DDT751



NW-DDT756



NW-DDT399



NW-DDT415P



NW-DDT383
(381/385/385SP)



NW-DDT241



NW-DDT486



NW-DDT191
(192/195)

Digital Display Thermostat for Medical Refrigeration

Product Parameters

Model	Electric Relay Type and Specification			Controllable Temperature Range	Accuracy	Overall Dimension L*W*D(mm)	Mounted Opening Size L*W(mm)	Sensor Type / Function / Qty	Product Features and Applications
NW-DDT619M	Compressor relay N/O AC 250V,30A	Lighting relay N/O AC 250V,5A	Alarm relay N/O AC 250V,5A	0~20°C	±0.1°C	77*35*70	71*29	NTC*1pcs (Cabinet temperature sensor) Product temperature sensor*1pcs	<ul style="list-style-type: none"> The maximum and minimum temperatures can be recorded Door switch detection External battery power failure alarm Application: Medical refrigerator, pharmacy refrigerator

Model	Electric Relay Type and Specification					Controllable Temperature Range	Controllable Humidity Range	Temperature Accuracy	Humidity Accuracy	Overall Dimension L*W*D(mm)	Mounted Opening Size L*W(mm)	Sensor Type / Function / Qty	Other Features	Product Features and Applications
NW-DDT476SM	Compressor relay N/O AC 250V,16A	Lighting relay N/O AC 250V,8A	Heater relay /	Evaporator fan relay N/O AC 250V,5A	HGumidifier relay /	2~15°C	35~75%	±0.1°C	±0.3%	181*41*47	138*32.5	NTC*1pcs (Cabinet temperature sensor) Defrosting sensor*1pcs	High temperature air cooled, Export data with USB flash disk	<ul style="list-style-type: none"> Temperature datas and humidity datas can be recorded
NW-DDT477M	N/O AC 250V,30A	N/O AC 250V,5A	/	/	/	2~15°C	35~75%	±0.1°C	±0.3%	181*41*47	138*32.5	NTC*1pcs (Cabinet temperature sensor) Defrosting sensor*1pcs	Air cooled	<ul style="list-style-type: none"> Humidity control, forced dehumidification Users can export historical data with USB flash disk
NW-DDT478M	N/O AC 250V,30A	N/O AC 250V,5A	N/O AC 250V,5A	N/O AC 250V,5A	N/O AC 250V,5A	2~15°C	35~75%	±0.1°C	±0.3%	181*41*47	138*32.5	NTC*1pcs (Cabinet temperature sensor) Defrosting sensor*1pcs	Air cooled, Humidification and dehumidification, automatic cooling and heating	<ul style="list-style-type: none"> Application: Medical pharmacy shade refrigerator, pharmacy refrigerator
NW-DDT479SWM	N/O AC 250V,30A	N/O AC 250V,16A	N/O AC 250V,5A	N/O AC 250V,10A	N/O AC 250V,5A	2~15°C	35~75%	±0.1°C	±0.3%	181*41*47	138*32.5	NTC*1pcs (Cabinet temperature sensor) Defrosting sensor*1pcs	Air cooled, Humidification and dehumidification, automatic cooling and heating Reserved external WIFI module interface	

Model	Electric Relay Type and Specification					Controllable Temperature Range	Controllable Humidity Range	Temperature Accuracy	Humidity Accuracy	Overall Dimension L*W*D(mm)	Mounted Opening Size L*W(mm)	Sensor Type / Function / Qty	Other Features	Product Features and Applications
NW-DDT248UM	Compressor relay N/O AC 250V,30A	Lighting relay N/O AC 250V,16A	Evaporator fan relay N/O AC 250V,10A	Heater relay N/O AC 250V,10A	HGumidifier relay N/O AC 250V,10A	8~20°C	35~75%	±0.1°C	±0.3%	230*54*27	225*49	NTC*1pcs (Cabinet temperature sensor) Defrosting sensor*1pcs	High temperature air cooled, Export data with USB flash disk	<ul style="list-style-type: none"> Temperature datas and humidity datas can be recorded Humidity control, forced dehumidification Users can export historical data with USB flash disk Large size panel Application: Medical pharmacy shade refrigerator, pharmacy refrigerator

Digital Display Thermostat for Quick Freezer

Product Parameters

Model	Electric Relay Type and Specification					Controllable Temperature Range	Accuracy	Overall Dimension L*W*D(mm)	Mounted Opening Size L*W(mm)	Sensor Type / Function / Qty	Product Features and Applications
	Compressor Relay	Lighting Relay	Evaporator Fan Relay	Defrosting Relay	Door Frame Heating Wire Relay						
NW-DDT485	250V AC, 30A	250V AC 5A	250V AC 5A*2	250V AC 10A	250V AC 10A	-45~120°C	±1°C	208*64*72.5	192.5*58	NTC*1 pcs (Cabinet temperature sensor) Food temperature sensor*1 pcs Defrosting sensor*1 pcs	<ul style="list-style-type: none"> The temperature can be controlled with food temperature sensor and cabinet temperature sensor Quick freezing countdown Door switch defecting Automatic defrosting Application: Quick freezer
	Compressor Relay	Lighting Relay	Evaporator Fan Relay	Defrosting Relay	Door Frame Heating Wire Relay						
NW-DDT486	250V AC, 30A	250V AC 10A	250V AC 10A*2	250V AC 16A	250V AC 10A	-45~120°C	±1°C	150*93*45 180.6*112.5*25	142.5*85.5 175.6*107.5	NTC*1 pcs (Cabinet temperature sensor) Food temperature sensor*1 pcs Defrosting sensor*1 pcs	<ul style="list-style-type: none"> 4.3"high-resolution touch color screen Strong freeze, less intense freeze, quick freeze, three-stage freeze process temperature control, the temperature change curve can be displayed The food temperature sensor can be heated Application: Upmarket quick freezer

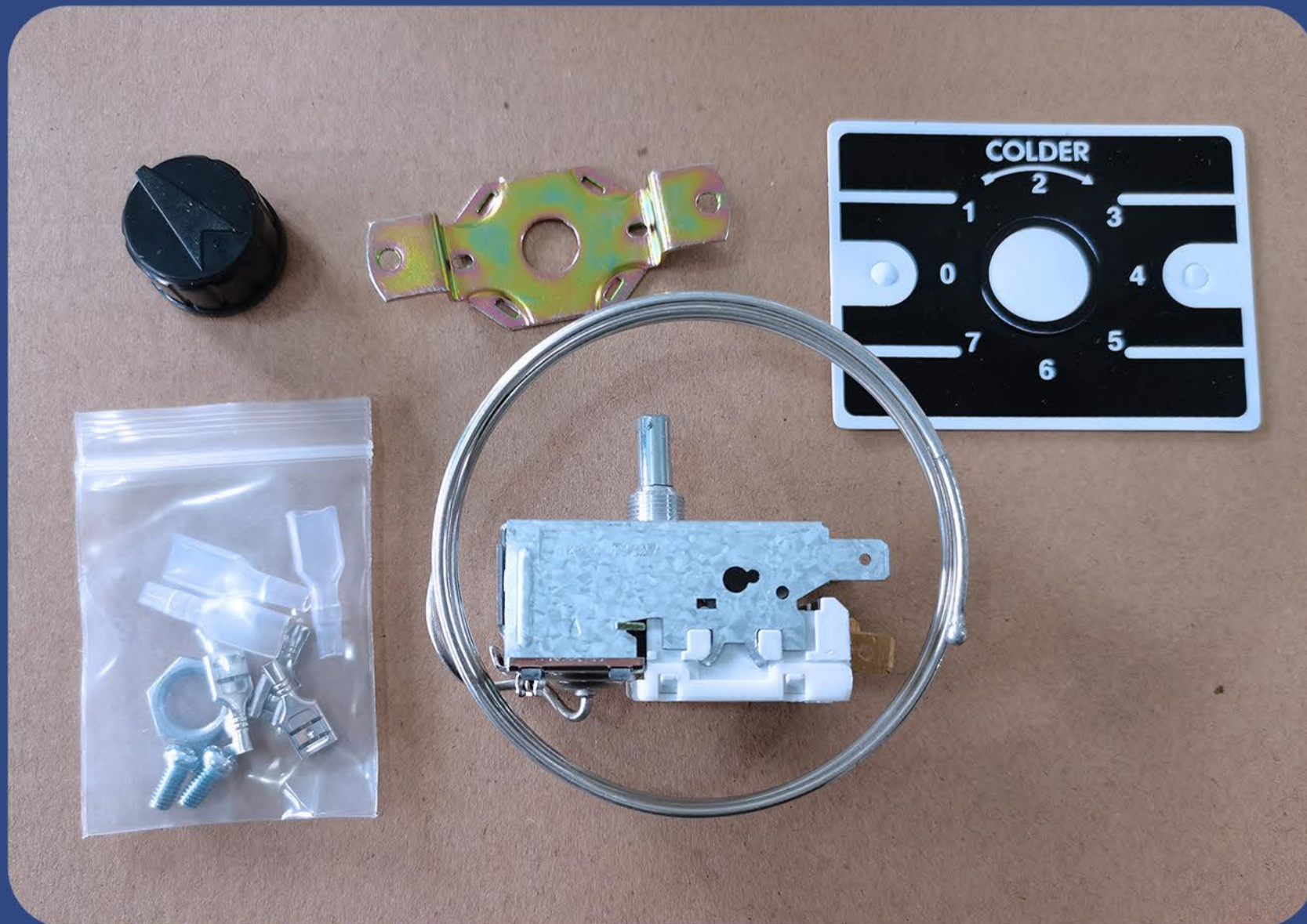
Color Touch Screen Display Thermostat

Product Parameters

Model	Electric Relay Type and Specification					Controllable Temperature Range	Controllable Humidity Range	Overall Dimension L*W*D(mm)	Mounted Opening Size L*W(mm)	Sensor Type / Function / Qty	Product Features and Applications
	Compressor Relay	Lighting Relay	Evaporator Fan Relay	Defrosting Relay	Door Frame Heating Wire Relay						
NW-DDT399	250V AC, 30A	250V AC 5A	250V AC 10	250V AC 10A	250V AC 10A	-35~30°C	1~99%RH	180.6*112.5*25	175.6*107.5	NTC*1 pcs (Cabinet temperature sensor) Defrosting sensor*1 pcs	<ul style="list-style-type: none"> 7"high-resolution touch color screen with CN / EN menu Visualized operation Low temperature air-cooled defrosting Application: Upmarket refrigerator, cold room, high / low temperature air cooling cooler

Mechanical Thermostat Controller Saginomiya & Ranco Pressure Type

The mechanical thermostat mainly relies on the displacement of the gas expansion and contraction lever in the temperature sensor to make the contacts of the thermostat connect and disconnect, accomplish the start and stop control of the compressor, and indirectly control the temperature in the refrigerator box. Sagumiya type constant temperature reset type thermostat is widely used in the temperature control of household appliances such as refrigerators. It is mainly divided into constant temperature reset type and ordinary type. The main components are: main components, bracket components, electrical components and power components.



Product Display



Mechanical Thermostat Controller

Product Parameters

Product Structure Type	Product Name	Product Model	Designed Temperature Range	Start / Stop Temperature Difference	Operation Temperature Range	Adjustable Temperature Range	Application
Saginomiya pressure type	Normal series(SPST or SPDT)	WP(F)-L	-36~+15°C	5~14	-40~+20°C	25 °C(Max.)	Refrigerators, freezers, display coolers, water dispensers and other refrigeration appliances
	Constant temperature reset series(SPST with auxiliary function)	WDF-L	-30~+6°C	8~36	-40~+20°C	25 °C(Max.)	
	Semi automatic defrosting series(SPST with manual defrosting mechanism)	WSF-L	-28~+7°C	6~14	-40~+20°C	25 °C(Max.)	
	Signal complex series(SPSW with alarm signal switch)	WX(F)-L	-36~-16°C	5~10	-40~+20°C	25 °C(Max.)	
Ranco pressure type	Normal series(SPST or SPDT)	WP(F)-K	/	5~35K	-40~+20°C	25 °C(Max.)	Refrigerators, freezers, display coolers, water dispensers and other refrigeration appliances
	Constant temperature reset series(SPST with auxiliary function)	WDF-K	/	5~35K	-40~+20°C	25 °C(Max.)	
	Semi automatic defrosting series(SPST with manual defrosting mechanism)	WSF-K	/	5~35K	-40~+20°C	25 °C(Max.)	
	Signal complex series(SPSW with alarm signal switch)	WX(F)-K	/	5~35K	-40~+20°C	25 °C(Max.)	
Danfoss / Robertshaw type	Normal series(SPST or SPDT)	WP(F)-D/WP(F)-R	/	5~35K	-40~+40°C	25 °C(Max.)	Refrigerators, freezers, display coolers, water dispensers and other refrigeration appliances
	Constant temperature reset series(SPST with auxiliary function)	WDF-D/WDF-R	/	5~35K	-40~+40°C	25 °C(Max.)	
	Signal complex series(SPSW with alarm signal switch)	WP(F)-D/WP(F)-R	/	5~35K	-40~+40°C	25 °C(Max.)	

Indicator



Technical Data

Rated Voltage: 100-250V AC

Rated Current: 0.5A-3A

Insulated Resistance: $\geq 100M\Omega$

Withstand Voltage: 1500V AC/1min

Working Condition

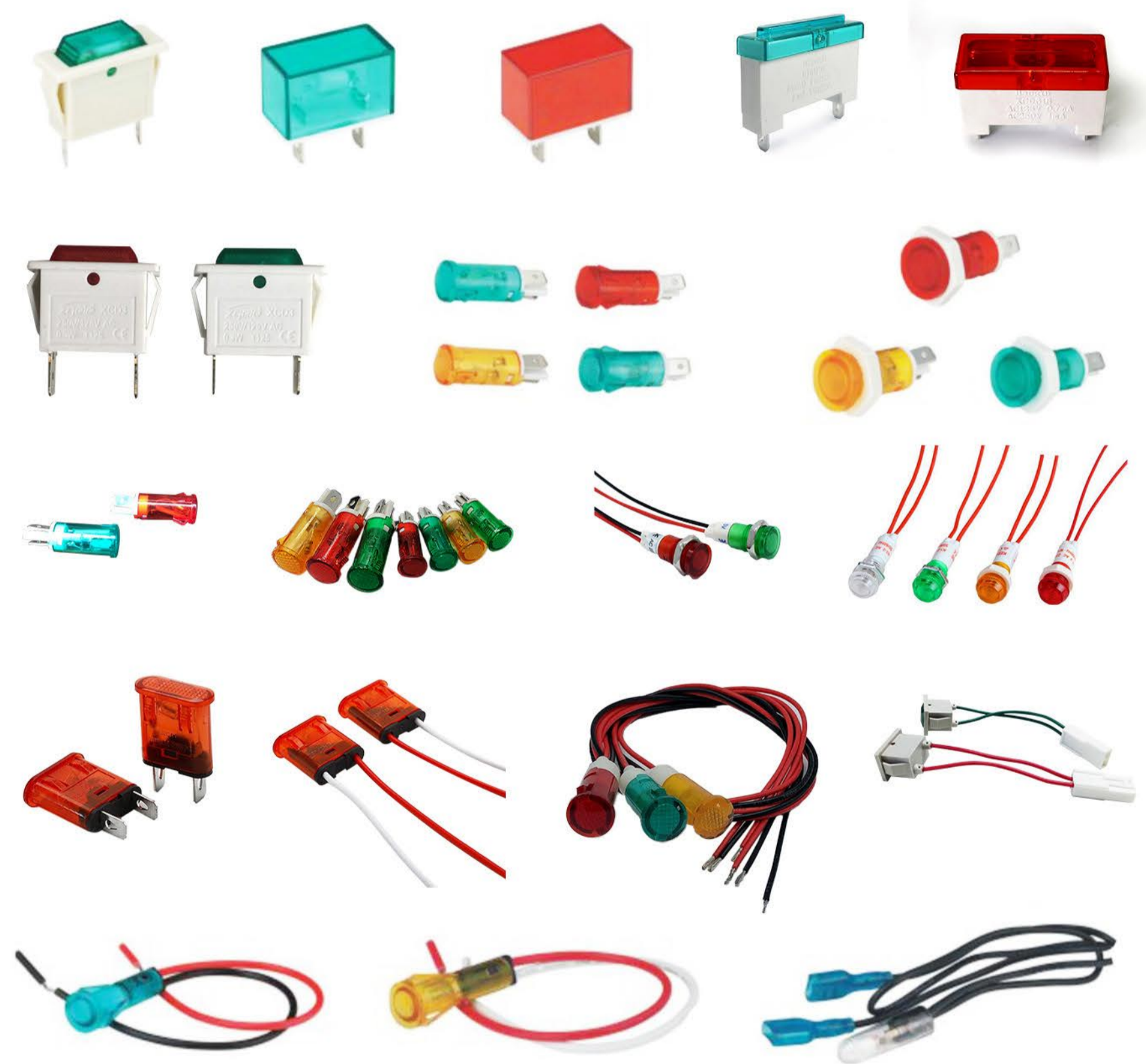
Ambient Temperature: $-25^{\circ}C$ to $+80^{\circ}C$

Relative Humidity: $< 90\%$ ($+20^{\circ}C$)

Application

Widely used for various types of refrigerator, ice box, kitchen ventilator, water heater etc

Product Details



Door Light Switch



Application

Widely used for home appliances such as refrigerator and disinfection cabinet etc

Technical Parameter:

- Electrical Parameters: 2.5A 250V AC, 5A 125V AC
- Product Certification: UL cUL VDE CQC
- Switch Function: turned on under normal state, disconnected when pressed down, normally closed function
- Contact Resistance: $\leq 50\text{m}\Omega$
- Insulation Resistance: $\geq 100\text{m}\Omega$
- Withstand Voltage: 1500V AC/1min
- Ambient Temperature: -15°C to $+85^{\circ}\text{C}$
- Relative Humidity: $< 90\%$ ($+20^{\circ}\text{C}$)
- Installation Panel Thickness: 1-2.5mm

Product Details



HC-050K.1



HC-050K.1C



HC-050K.3



HC-050K.4.2



HC-050K.4.3



HC-050K.4



HC-050K.4G



HC-050K.4K



HC-050K.4M



HC-052K.7

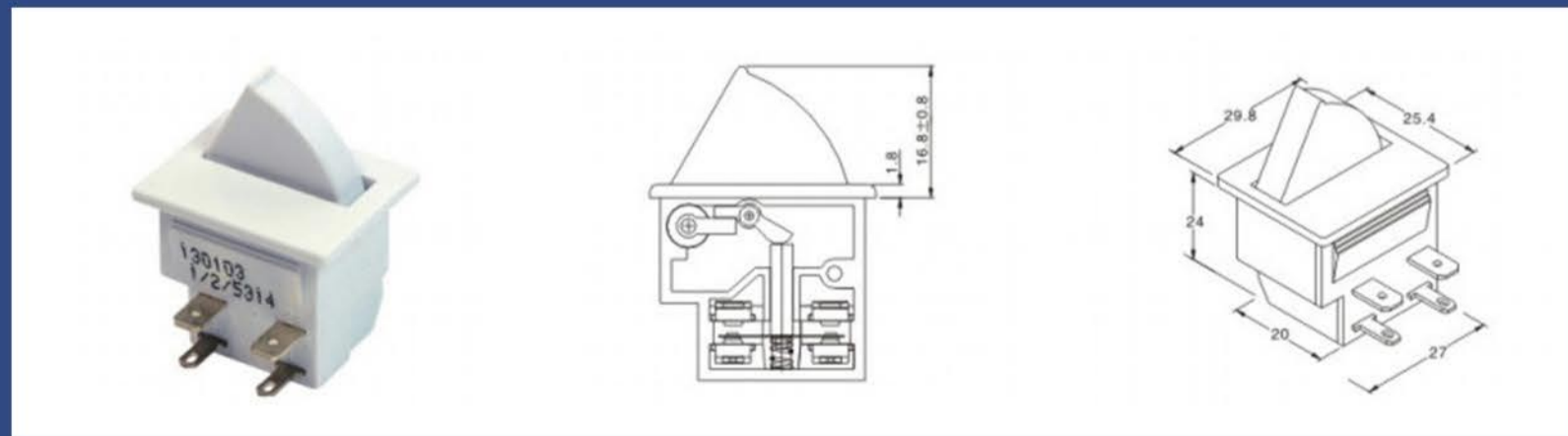
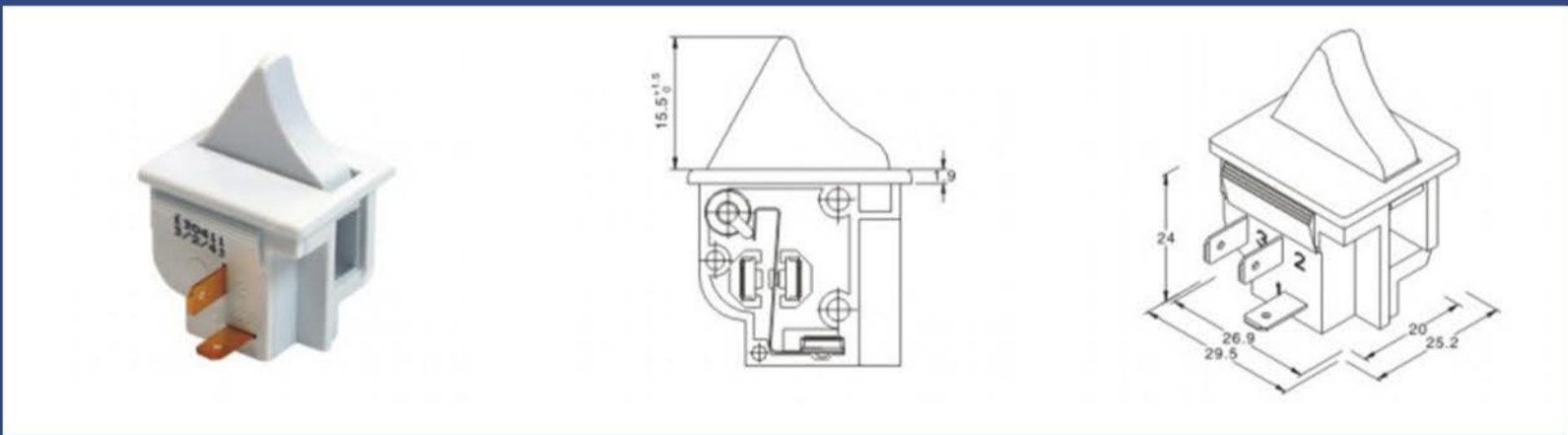
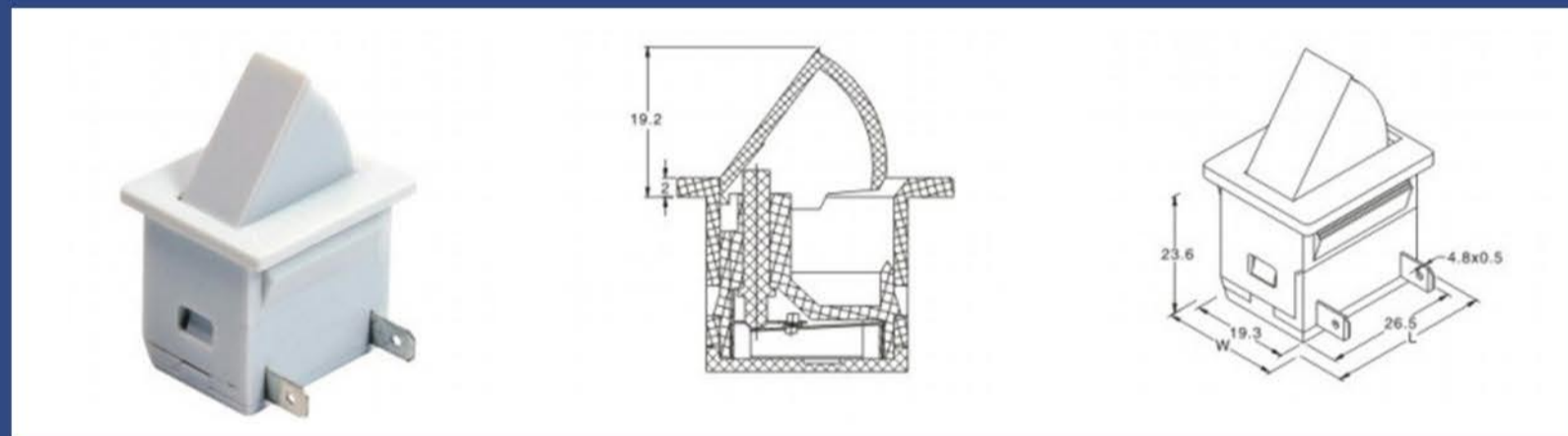


HC-052K.F5

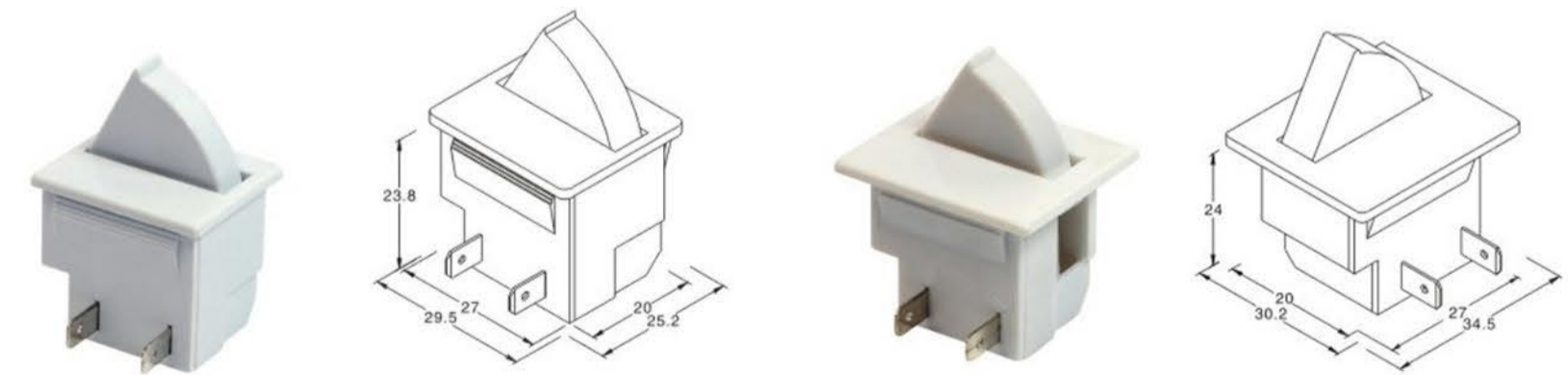
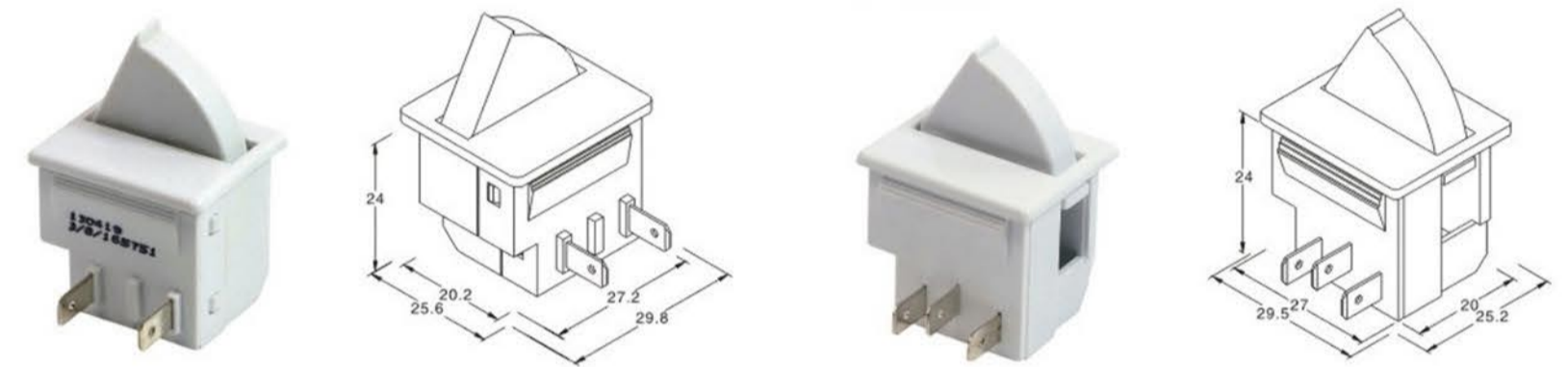


HC-056K.6

Door Light Switch



Product Details



Temperature Control Panel



Temperature Control Panel

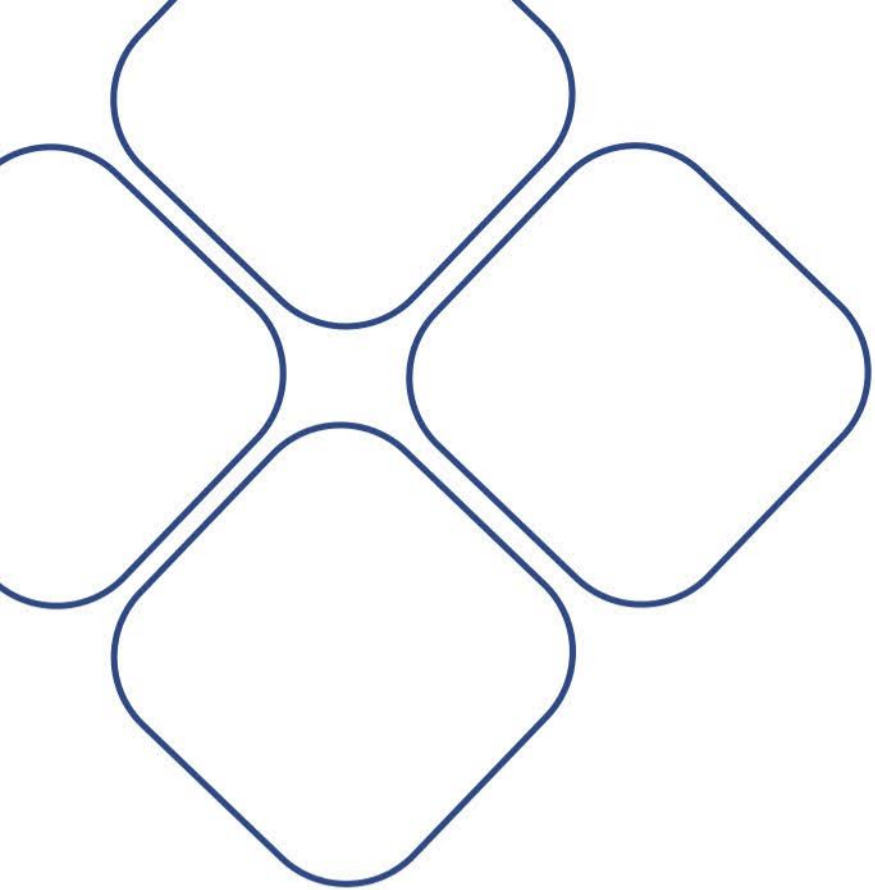


Thermostat Waterproof Box



There are various types of thermostat waterproof boxes, which can be adapted to different types of thermostats. It can effectively isolate moisture from entering the interior of the thermostat, ensure a dry environment, and maintain stable performance of the thermostat.





Total Solution of Commercial Refrigerators

Foshan Nenwell Import & Export Trading Co., Ltd.



Foshan Nenwell Import Export Trading Co., Ltd.

Address: Rm 601, Bld# 5a Tianan Mansion, Jianping Rd,
Guicheng, Nanhai, Foshan, Guangdong, China

Tel:0086-757-85856069

<http://www.nenwell.com/>