

Total Solution of Commercial Refrigerators

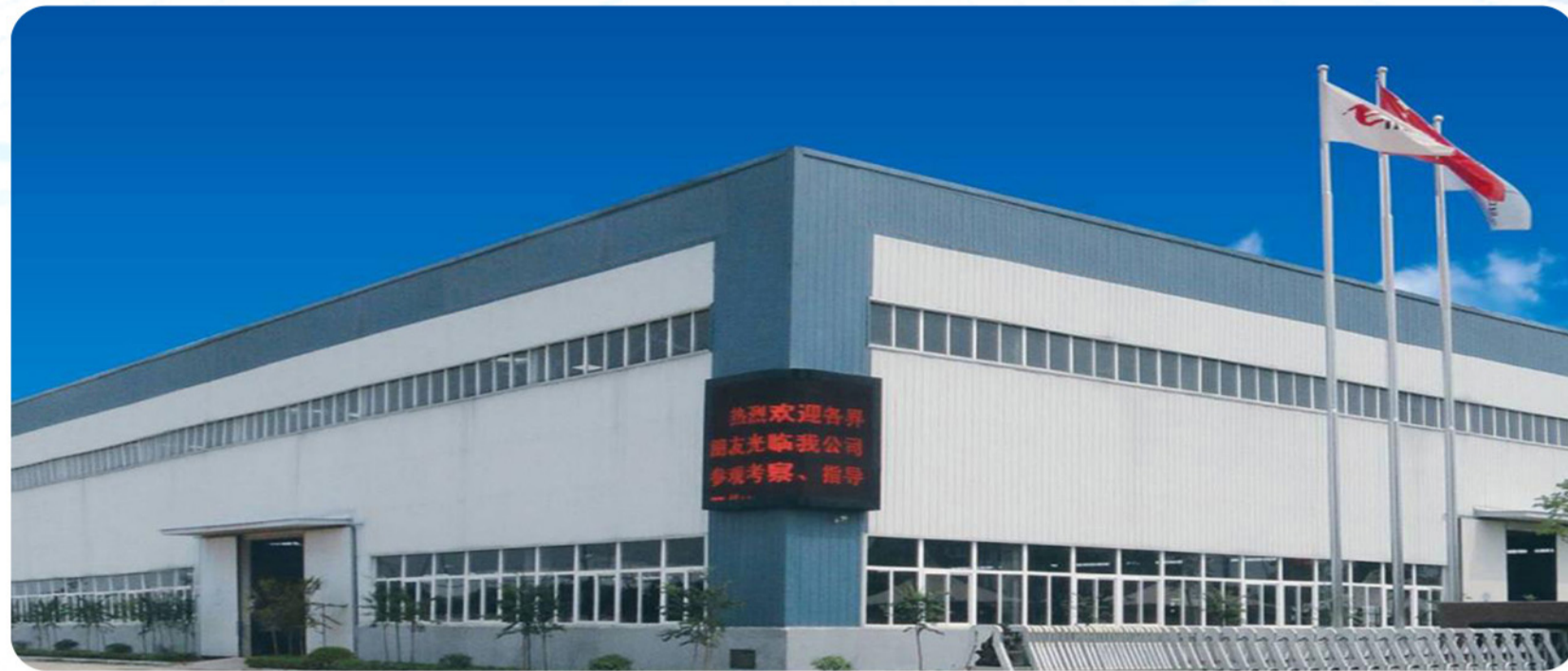
Foshan Nenwell Import & Export Trading Co., Ltd.

Foshan Nenwell Import Export Trading Co., Ltd.

Address: Rm 601, Bld# 5a Tianan Mansion, Jianping Rd,
Guicheng, Nanhai, Foshan, Guangdong, China

Tel:0086-757-85856069

<http://www.nenwell.com/>



Your Ideal One-Stop Supplier of Commercial Fridges

Nenwell, China tier 1 commercial refrigeration solution provider, with 7+ affiliated factories standing behind us, we are enduring in operating mass production and fast delivery for valued clients across the world. Alongside the decades since China's open policy in 90's, Nenwell took deep root in China commercial refrigeration industry and grew into a total solution provider of commercial refrigeration equipment, such as reach in refrigerator, glass door merchandiser, countertop fridge, back bar fridge, conventional fridges and freezers, and medical purpose refrigerators. Besides these commercial refrigerators, also we are supplying numerous components and fridge production lines. Nenwell Import and Export is our export outlet and the helper in pivoting global supply chain in this field across the world. We are committed to become your ideal one-stop supplier of freezers and coolers.



Nenwell, a Joint of High Quality upon Cost-Efficiency

Deeply rooted in China refrigeration industry for the past three decades, we have developed prominent expertise and leading technology which bring our manufacturing to world-class high quality. Quality and safety standards such as ISO90001, CE, RoHS, REACH, ETL, UL, NSF, CB, SAA and other norms are well met for different product lines. High quality products and efficient inner cost control empowers Nenwell to grow rapidly in the refrigeration field. Your one-stop refrigeration supplier is us as we run comprehensively full field refrigeration equipment, from cooler to freezer, from mini to large, from counter-top to free-standing, from complete units to components, and from products to production lines. We are professional in satisfying your OEM/ ODM and customized orders.

We help Boost Your Brand in Catering and Retailing



We are always one step ahead of the food service and retailing business. Our insights in stylish designs, illuminated visibility, energy saving technology can definitely boost your brand distribution and retailing sales. Remarkable acknowledgements are bestowed to Nenwell through trustworthy cooperations with famous clients home and abroad, such as Qingdao Beer, Tiger Beer, Polar Bear, Nestle', Meiji, Dairy Queen, Arum, Klondike, Cream Bell, Dairy Day, Igloo, Orchard Fresh, Cold Stone, Llaollao, Fruits, Amorino, Galadari and the list extends yearly.



Barrel Cooler



Countertop Chiller



Silm Upright Freezer



Upright Fridge



Cake Showcase



Ice Cream Showcase



Supermarket Merchandiser



Medical Refrigerator

2 ~ 8°C Pharmacy Refrigerator



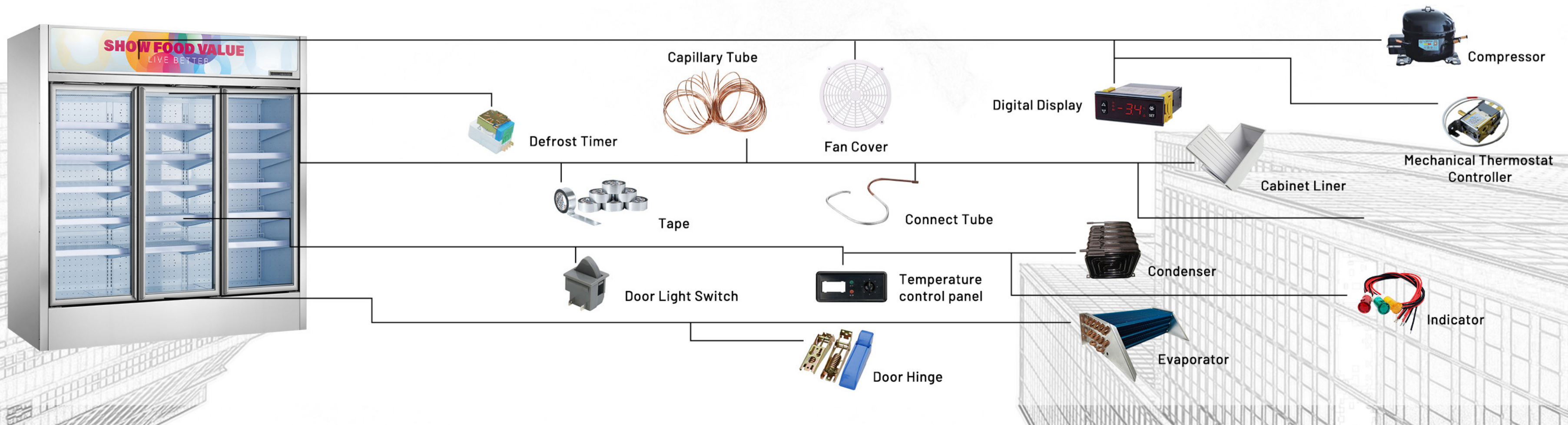
4°C Blood Bank Refrigerator



-40°C Biomedical Freezer



Transport Cooler



CATALOGUE

01

Wheel Series

17

Adjustable Foot

23

Lock&key/Door hinge

24

Frame/Hinge

Wheel: TPR Series

Wheel Material	Specification	Model	Wheel Dia (mm)	Tread Width (mm)	Overall Height (mm)	Plate Size (mm)	Hole Spacing (mm)	Load Capacity (kg)
TPR	Universal	NW1	25	15	34	36*22	47*33	25
		NW2	30	15	36	36*22	47*33	30
		NW3	40	16	55	35*27	45*38	35
		NW4	50	18	65	35*27	/	40
	Orientation	NW5	25	15	34	35*27	/	25
		NW6	30	15	36			30
		NW7	40	16	55			35
		NW8	50	18	65			40
	Universal Orientation Brake	NW9/12/15	50	18	72	50*50	35*35	40
		NW10/13/16	75	24	101	65*65	45*45	60
		NW11/14/17	100	25	124	65*65	45*45	80
		NW30/33/36	50	18	72	60*60	42*42	40
NW31/34/37		75	24	101	60*60	42*42	60	
NW32/35/38		100	25	124	60*60	42*42	80	

Wheel Material	Specification	Model	Wheel Dia (mm)	Tread Width (mm)	Threaded Size (mm)	Load Capacity (kg)
TPR	Threaded Screw Brake	NW18/21	50	18	10*25/10*30	40
		NW19/22	75	24	10*25/10*30	60
		NW20/23	100	25	10*25/10*30	80

Wheel Material	Specification	Model	Wheel Dia (mm)	Tread Width (mm)	Overall Height (mm)	Threaded Size (mm)	Load Capacity (kg)
TPR	Empty Top Empty Top Brake	NW24/27	50	18	71	10.2	40
		NW25/28	75	24	99	10.2	60
		NW26/29	100	25	123	10.2	80

TPR Series Product



Wheel: Light Series

Wheel Material	Specification	Model	Wheel Dia (mm)	Tread Width (mm)	Overall Height (mm)	Plate Size (mm)	Hole Spacing (mm)	Load Capacity (kg)
PP	Universal Orientation	NW39/45	25	13	35	38*38	26*20	10
		NW40/46	30	13	38	38*38	26*20	16
		NW41/47	40	16	52	46*40	33*26	20
		NW42/48	50	20	65	60*45	45*33	30
		NW43/49	65	25	92	65*53	50*38	35
		NW44/50	75	25	93	75*60	55*42	50
Rubber	Universal Orientation	NW55/61	25	13	35	38*38	26*20	10
		NW56/62	30	13	38	38*38	26*20	16
		NW57/63	40	16	52	46*40	33*26	20
		NW58/64	50	21	65	60*45	45*33	30
		NW59/65	65	25	92	65*53	50*38	35
		NW60/66	75	25	93	75*60	55*42	50
		NW71/75	40	16	52	46*40	33*26	20
		NW72/76	50	20	65	60*45	45*33	30
		NW73/77	65	25	92	65*53	50*38	35
		NW74/78	75	25	93	75*60	55*42	50
PP	Side Brake	NW51	40	16	52	46*40	33*26	20
		NW52	50	20	65	60*45	45*33	30
		NW53	65	25	92	65*53	50*38	35
		NW54	75	25	93	75*60	55*42	50
		NW67	40	16	52	46*40	33*26	20
		NW68	50	20	65	60*45	45*33	30
		NW69	65	25	92	65*53	50*38	35
		NW70	75	25	93	75*60	55*42	50
Rubber	Side Brake	NW79	40	16	52	46*40	33*26	20
		NW80	50	20	65	60*45	45*33	30
		NW81	65	25	92	65*53	50*38	35
		NW82	75	25	93	75*60	55*42	50

Light Series Product



Wheel: Grey Rubber Casters Series



Wheel Material	Specification	Model	Wheel Dia (mm)	Tread Width (mm)	Overall Height (mm)	Plate Size (mm)	Hole Spacing (mm)	Load Capacity (kg)
PVC/Glue	Universal Brake	NW83/91	50	18	72	50*50	35*35	40
		NW84/92	75	21	101	65*65	45*45	60
		NW85/93	100	27	124	75*75	55*55	80
		NW86/94	125	27	155	75*75	55*55	90
	Orientation	NW87	50	18	72	52*33	52*33	40
		NW88	75	21	101	100*59	81*40	60
		NW89	100	27	124	100*59	91*40	80
		NW90	125	27	155	100*59	81*40	90

Wheel: Industrial PP Series



Wheel Material	Specification	Model	Wheel Dia (mm)	Tread Width (mm)	Overall Height (mm)	Threaded Size (mm)	Load Capacity (kg)
PP	Empty Top Empty Top Brake	NW113/119	75	25	92	10.2	60
		NW114/120	80	30	106	12.2	70
		NW115/121	100	30	129	12.2	80
		NW116/122	125	35	157	12.2	100
		NW117/123	160	40	193	12.2	150
		NW118/124	200	50	235	12.2	180

Wheel Material	Specification	Model	Wheel Dia (mm)	Tread Width (mm)	Overall Height (mm)	Plate Size (mm)	Hole Spacing (mm)	Load Capacity (kg)
PP	Universal Orientation Brake	NW95/101/107	75	25	92	75*60	55*42	60
		NW96/102/108	80	30	106	105*80	80*60	70
		NW97/103/109	100	30	129	105*80	80*60	80
		NW98/104/110	125	35	157	105*80	80*60	100
		NW99/105/111	160	40	193	130*110	105*80	150
		NW100/106/112	200	50	235	130*110	105*80	180

Wheel: Industrial Rubber Series



Wheel Material	Specification	Model	Wheel Dia (mm)	Tread Width (mm)	Threaded Size (mm)	Load Capacity (kg)
Rubber	Single Round	NW125	75	25	12	60
		NW126	80	27	12	70
		NW127	100	30	12	80
		NW128	125	37.5	15	100
		NW129	160	45	20	150
		NW130	200	50	20	180

Wheel Material	Specification	Model	Wheel Dia (mm)	Tread Width (mm)	Overall Height (mm)	Threaded Size (mm)	Load Capacity (kg)
Rubber	Empty Top Empty Top Brake	NW149/155	75	25	92	10.2	60
		NW150/156	80	27	106	12.2	70
		NW151/157	100	30	129	12.2	80
		NW152/158	125	37.5	157	12.2	100
		NW153/159	160	45	193	12.2	150
		NW154/160	200	50	235	12.2	180

Wheel Material	Specification	Model	Wheel Dia (mm)	Tread Width (mm)	Overall Height (mm)	Plate Size (mm)	Hole Spacing (mm)	Load Capacity (kg)
Rubber	Universal Orientation Brake	NW131/137/143	75	25	92	75*60	55*42	60
		NW132/138/144	80	27	106	105*80	80*60	70
		NW133/139/145	100	30	129	105*80	80*60	80
		NW134/140/146	125	37.5	157	105*80	80*60	100
		NW135/141/147	160	45	193	130*110	105*80	150
		NW136/142/148	200	50	235	130*110	105*80	180

Wheel:Iron Wheel Series



Wheel Material	Specification	Model	Wheel Dia (mm)	Tread Width (mm)	Overall Height (mm)	Plate Size (mm)	Hole Spacing (mm)	Load Capacity (kg)
Industrial Iron Wheel	Universal Orientation Brake	NW191/197/203	75	25	92	75*60	55*42	70
		NW192/198/204	80	27	106	105*80	80*60	100
		NW193/199/205	100	30	129	105*80	80*60	120
		NW194/200/206	125	37.5	157	105*80	80*60	150
		NW195/201/207	160	45	193	130*110	105*80	200
		NW196/202/208	200	50	235	130*110	105*80	230

Wheel:Sandwich Wheel Series



Wheel Material	Specification	Model	Wheel Dia (mm)	Tread Width (mm)	Overall Height (mm)	Plate Size (mm)	Hole Spacing (mm)	Load Capacity (kg)
PA	Universal Orientation Brake	NW209/211/213	100	35	129	105*80	80*60	120
		NW210/212/214	125	35	156	105*80	80*60	150

Wheel: Artificial Rubber Series



Wheel Material	Specification	Model	Wheel Dia (mm)	Tread Width (mm)	Overall Height (mm)	Threaded Size (mm)	Load Capacity (kg)
Artificial Rubber	Empty Top Empty Top Brake	NW170/173	80	35	106	12.2	100
		NW171/174	100	35	129	12.2	150
		NW172/175	125	38	156	12.2	180

Wheel Material	Specification	Model	Wheel Dia (mm)	Tread Width (mm)	Overall Height (mm)	Plate Size (mm)	Hole Spacing (mm)	Load Capacity (kg)
Artificial Rubber	Universal Orientation Brake	NW161/164/167	80	35	106	105*80	80*60	100
		NW162/165/168	100	35	129	105*80	80*60	150
		NW163/165/169	125	38	156	105*80	80*60	180

Wheel: PU Series



Wheel Material	Specification	Model	Wheel Dia (mm)	Tread Width (mm)	Overall Height (mm)	Threaded Size (mm)	Load Capacity (kg)
PU	Empty Top Empty Top Brake	NW185/188	80	35	106	12.2	80
		NW186/189	100	35	129	12.2	100
		NW187/190	125	38	156	12.2	130

Wheel Material	Specification	Model	Wheel Dia (mm)	Tread Width (mm)	Overall Height (mm)	Plate Size (mm)	Hole Spacing (mm)	Load Capacity (kg)	Threaded Size (mm)
PU	Universal Orientation Brake	NW176/179/182	80	35	106	105*80	80*60	57*28*21	80
		NW177/180/183	100	35	129	105*80	80*60	57*28*21	100
		NW178/181/184	125	38	156	105*80	80*60	57*28*21	130

Wheel: Gold Drill Series



Wheel Material	Specification	Model	Wheel Dia (mm)	Tread Width (mm)	Overall Height (mm)	Plate Size (mm)	Hole Spacing (mm)	Load Capacity (kg)
PVC	Universal Orientation Brake	NW215/219/223	40	22	60	60*43	45*30	32
		NW216/220/224	50	25	75	70*51	53*35	40
		NW217/221/225	65	30	95	95*66	73*45	72
		NW218/222/226	75	30	110	95*66	73*45	110

Wheel: Heavy Series



Wheel Material	Specification	Model	Wheel Dia (mm)	Tread Width (mm)	Overall Height (mm)	Plate Size (mm)	Hole Spacing (mm)	Load Capacity (kg)
Polyurethane Flame PU Iron Core PU PP	Universal Orientation Brake	NW264/268/272/276/280/284/288/292/296	100	50	142	113*100	82*70	150
		NW265/269/273/277/281/285/289/293/297	125	50	162	113*100	82*70	250
		NW266/270/274/278/282/286/290/294/298	160	50	188	113*100	82*70	350
		NW267/271/275/279/283/287/291/295/299	200	50	241	113*100	82*70	450

Wheel: Double Wheel Series



Wheel Material	Specification	Model	Wheel Dia (mm)	Tread Width (mm)	Threaded Size (mm)	Load Capacity (kg)
TPR/PU/PP	Threaded Screw Brake	NW233/235/245/247/259	50	18*2	10*25	70
		NW234/236/246/248/260	75	24*2	12*25	90
PP	Threaded	NW257	50	/	10*25	70
		NW258	75	/	10*25	90

Wheel Material	Specification	Model	Wheel Dia (mm)	Tread Width (mm)	Overall Height (mm)	Threaded Size (mm)	Load Capacity (kg)
TPR/PU/PP	Empty Top Empty Top Brake	NW237/239/249/251/261/262	50	18*2	72	10.2	70
		NW238/240/250/252/261/263	70	24*2	101	10.2	90

Wheel Material	Specification	Model	Wheel Dia (mm)	Tread Width (mm)	Overall Height (mm)	Plate Size (mm)	Hole Spacing (mm)	Load Capacity (kg)
TPR/PU/PP	Tablet Universal Orientation Brake	NW227/229/231/241/243/253/255	50	18*2	72	60*60	42*42	70
		NW228/230/232/242/244/254/256	75	24*2	101	65*65	42*42	90

Double Wheel Series Product



Wheel: Round Wheel Series



Wheel Material	Specification	Model	Wheel Dia (mm)	Tread Width (mm)	Load Capacity (kg)
TPR	Panel	NW309	40	40	8*15
		NW310	50	50	10*15

Wheel Material	Specification	Model	Wheel Dia (mm)	Tread Width (mm)	Threaded Size (mm)	Load Capacity (kg)
PA	Threaded	NW302	50	42	12*30	300
PP		Inserted Rod	NW305	40	40	8*38
		NW306	50	50	8*38	40

Wheel Material	Specification	Model	Wheel Dia (mm)	Tread Width (mm)	Overall Height (mm)	Plate Size (mm)	Hole Spacing (mm)	Load Capacity (kg)
PA	Panel	NW300/301	50	42	72	95*65	75*45	300
		NW303/307	40	40	52	38*38	26*26	30
Rubber/TPR		NW304/308	50	50	65	38*38	26*26	40

Wheel: Single Wheel Series



Wheel Material	Specification	Model	Wheel Dia (mm)	Tread Width (mm)	Load Capacity (kg)
PU	Single Wheel	NW311	80	30	70
		NW312	100	30	100
		NW313	125	50	120
TPR		NW314	50	18	40
		NW315	75	24	60
Rubber		NW316	100	25	80
		NW317	80	35	100
		NW318	100	36	150
		NW319	125	38	180
PA		NW320	100	35	120
		NW321	125	35	163

Wheel:Other Series



Wheel Material	Model	Wheel Dia (mm)	Load Capacity (kg)
PA	NW333	25	25



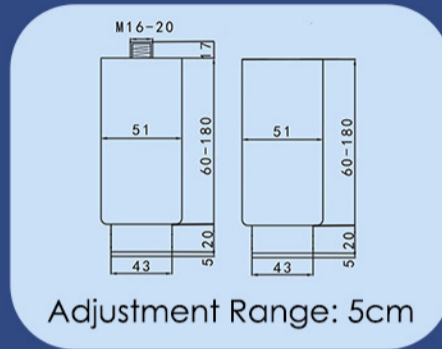
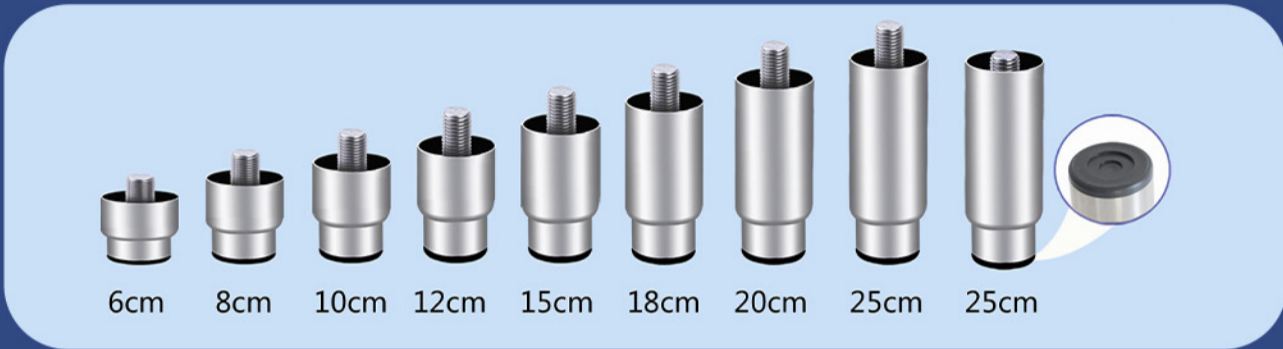
Wheel Material	Specification	Model	Wheel Dia (mm)	Threaded Size (mm)	Load Capacity (kg)
PU	Inserted Rod	NW330	50	8*25	35
PA		NW331	75	10*40	50
		NW332	100	12*50	70



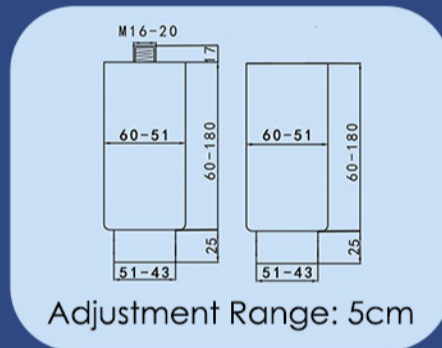
Wheel Material	Specification	Model	Wheel Dia (mm)	Tread Width (mm)	Load Capacity (kg)
PP	Inserted Rod	NW324	40	16	30
		NW325	50	20	40
PP/TPR		NW326/328	25	15	20
		NW327/329	30	15	30

Adjustable Foot Product

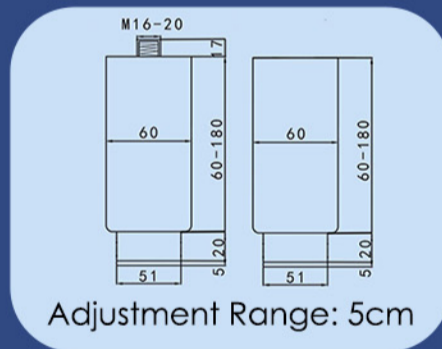
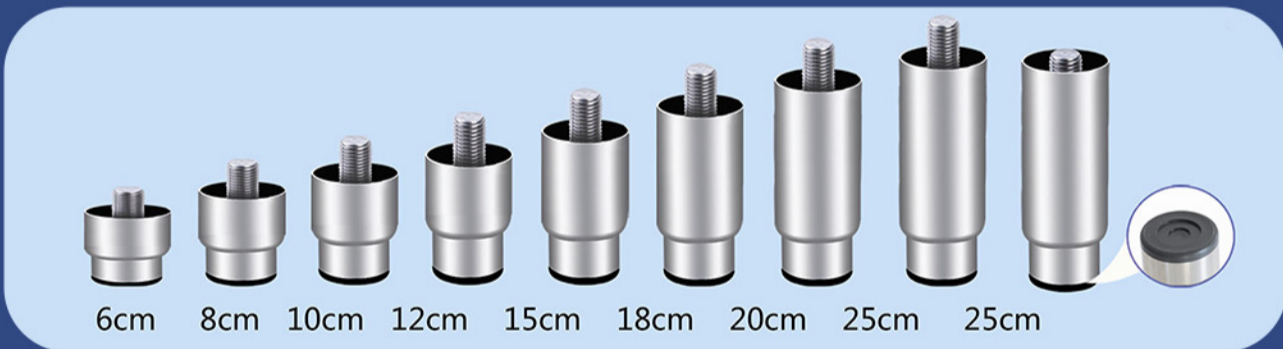
Adjustable Bullet Foot(Full Steel Type,with Cushion Pad)



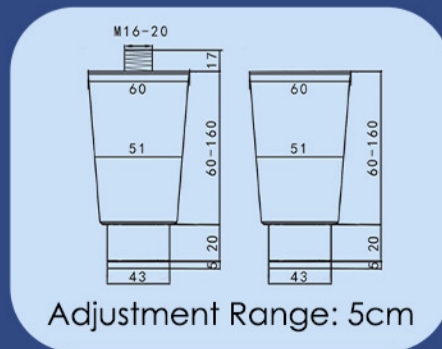
Adjustable Bullet Foot(Full Steel Type,Flat End)



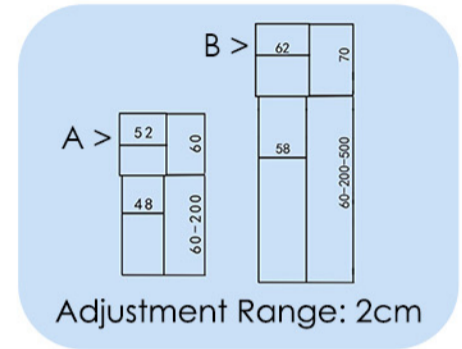
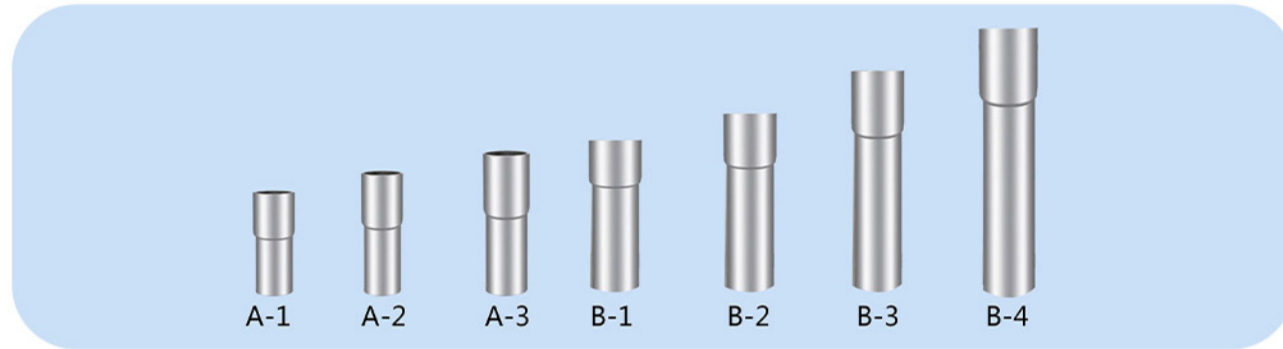
Adjustable Bullet Foot(Full Steel Type,with Cushion Pad)



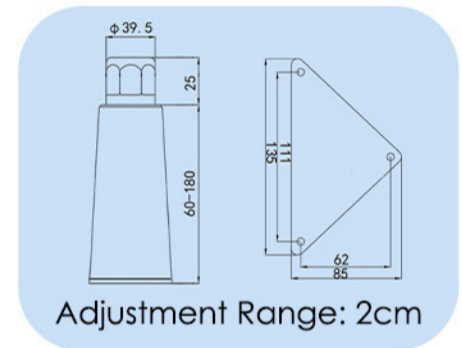
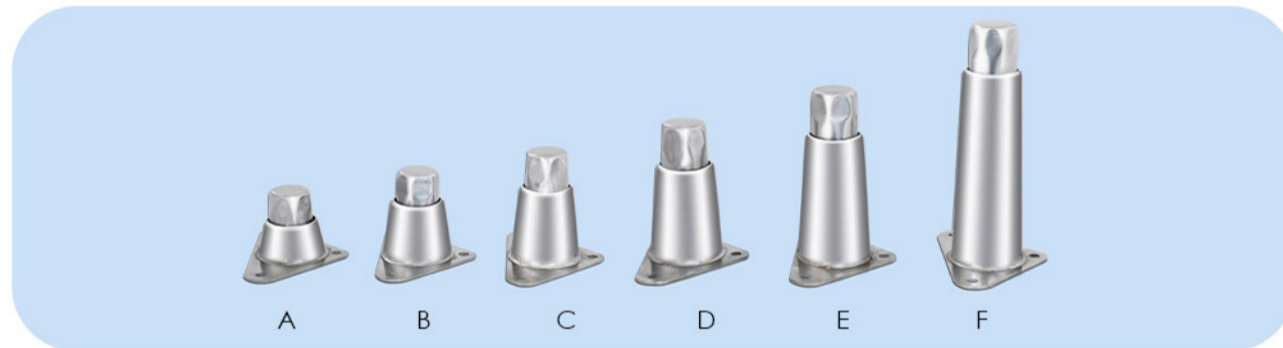
Cone Shape Adjustable Bullet Foot(Full Steel Type,with Cushion Pad)



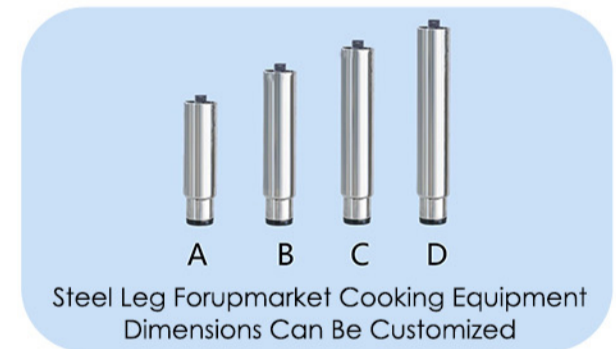
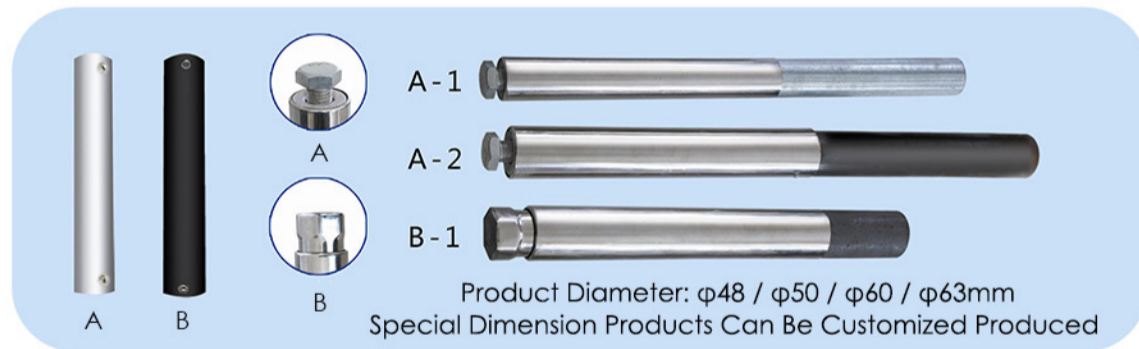
Dishwasher Bullet Foot



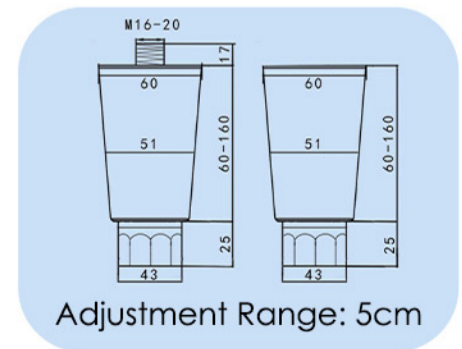
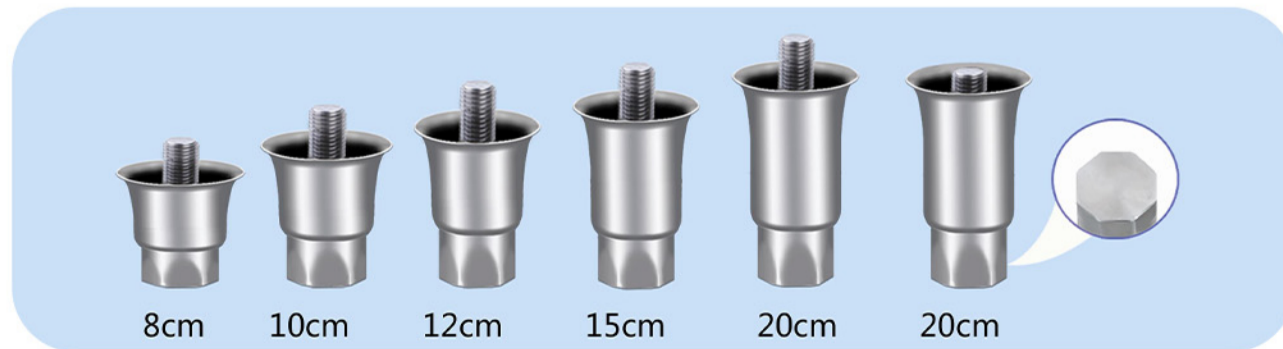
Welded Bullet Foot



Steel Leg for Cooking Equipment

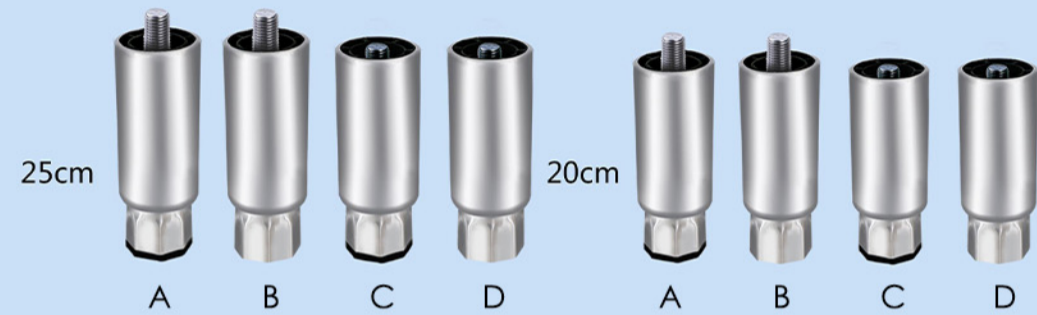


Cone Shape Adjustable Bullet Foot(Full Steel Type,with Octagonal Cushion Pad)

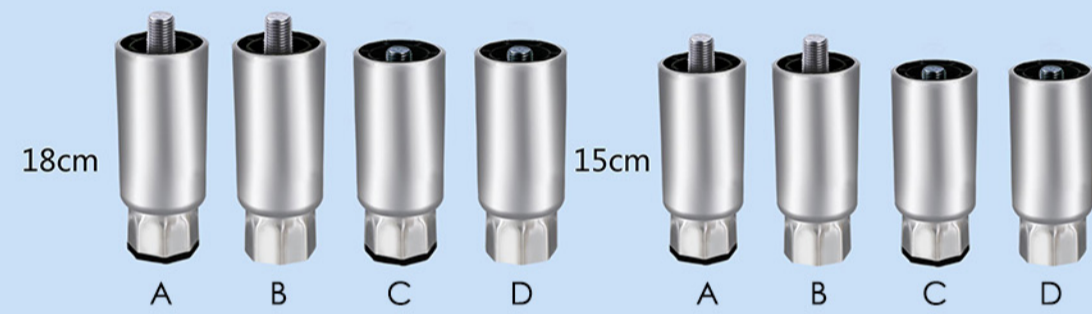


Adjustable Foot Product

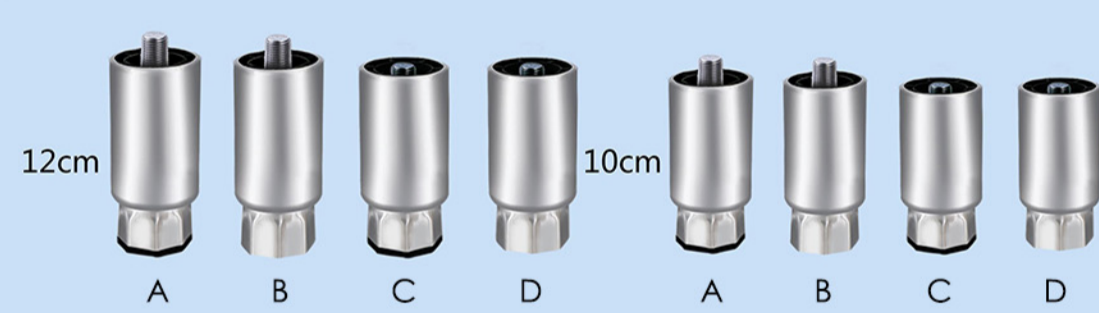
Adjustable Bullet Foot(Octagonal End)



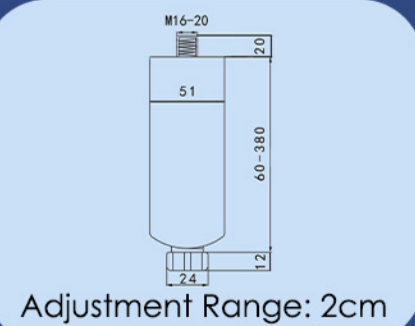
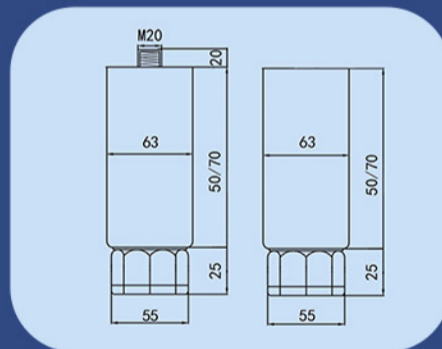
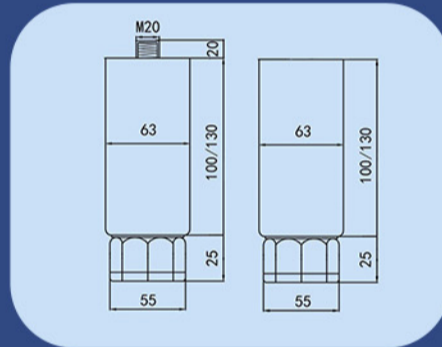
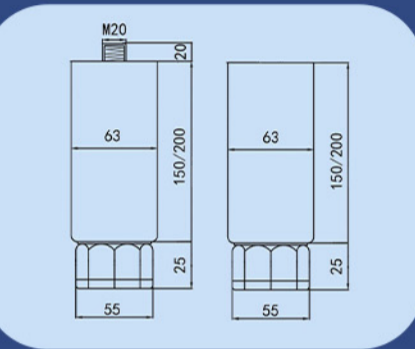
Adjustable Bullet Foot(Octagonal End)



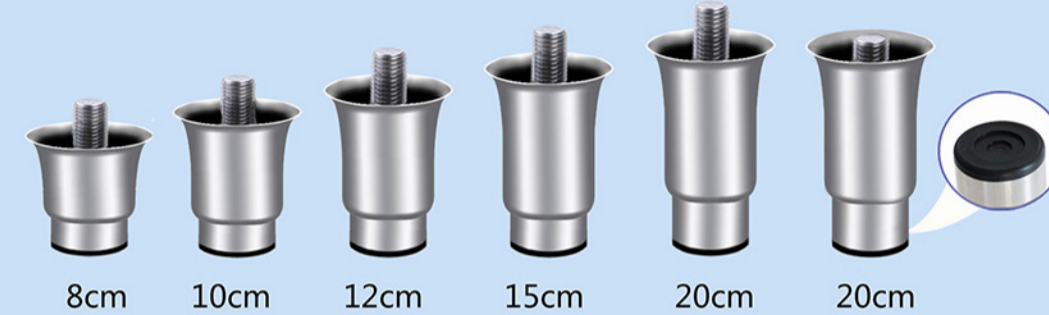
Adjustable Bullet Foot(Octagonal End)



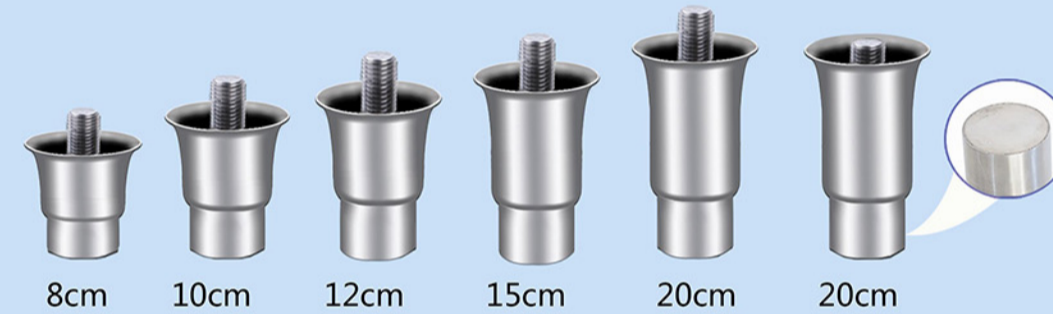
Soup Barrel Bullet Foot



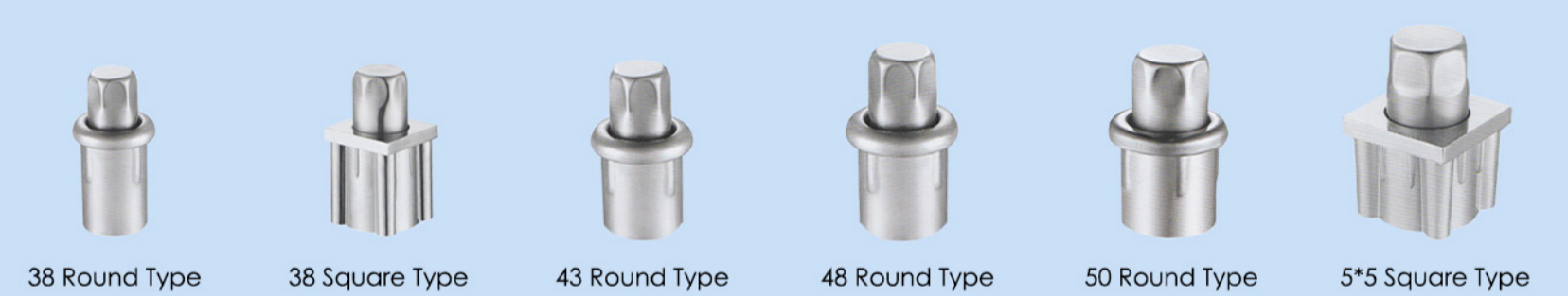
Cone Shape Adjustable Bullet Foot(Full Steel Type,with Cushion Pad)



Welded Bullet Foot



Equipment Bullet Food(Full Steel Type,Flat End)

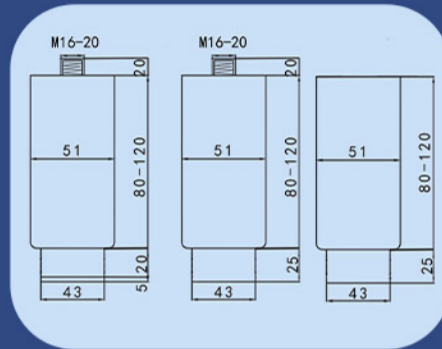
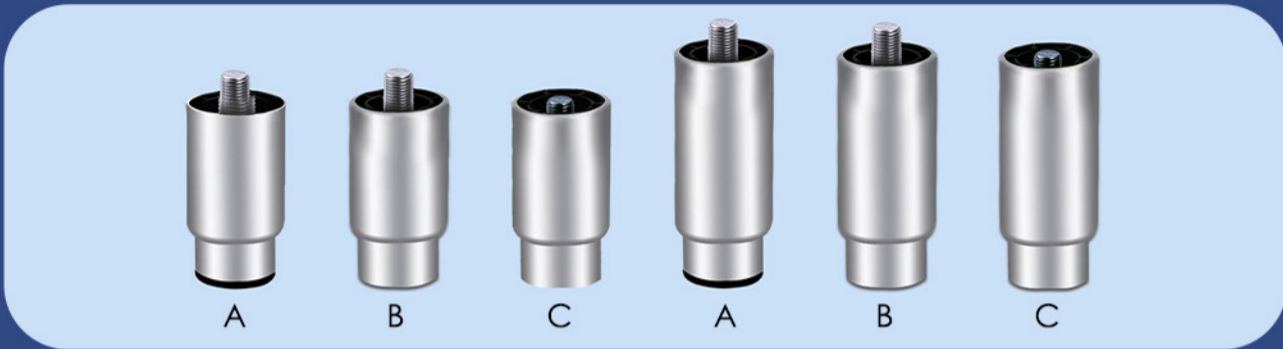


Steel Rod Adjustable Foot

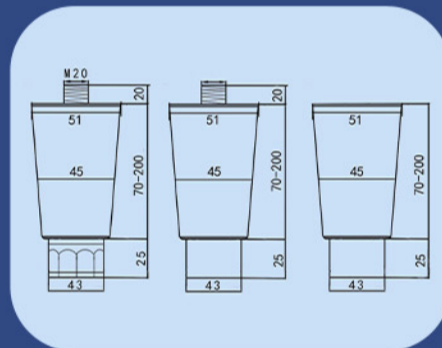
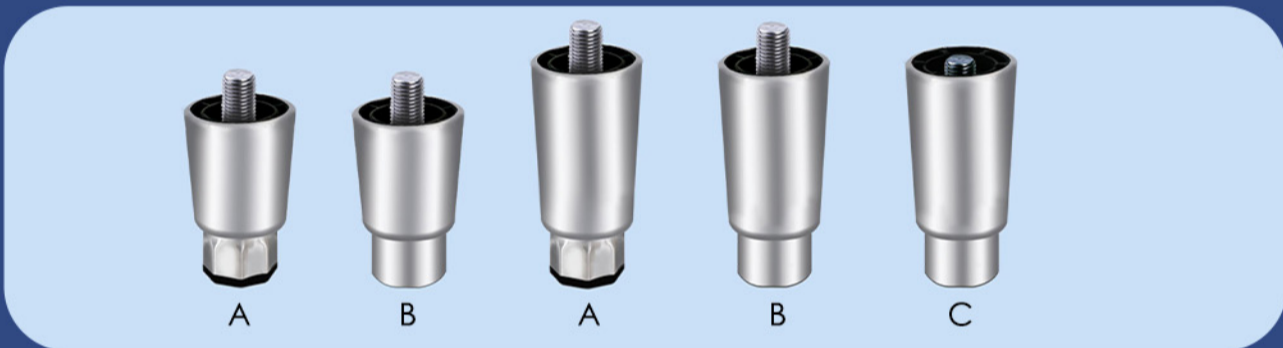


Adjustable Foot Product

Adjustable Bullet Foot(Full Steel Type)



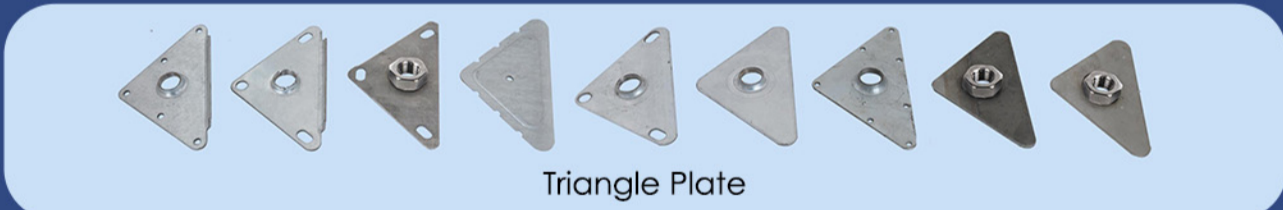
Cone Shape Assembled Adjustable Bullet Foot



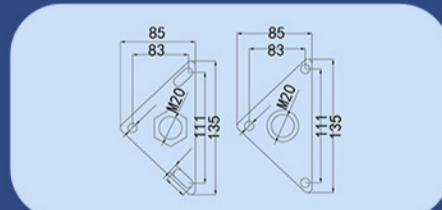
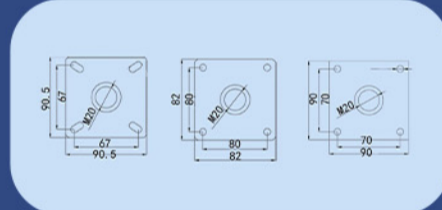
Bottom Plates



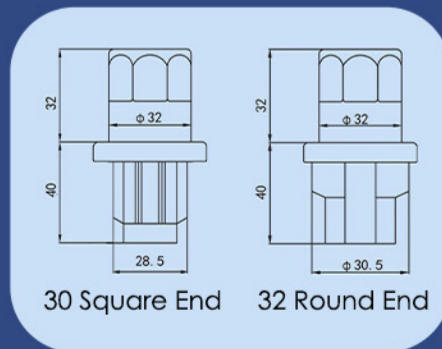
Square Plate



Triangle Plate

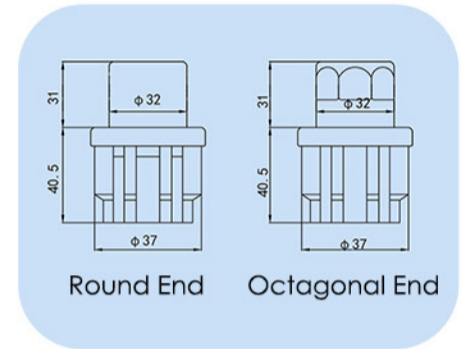
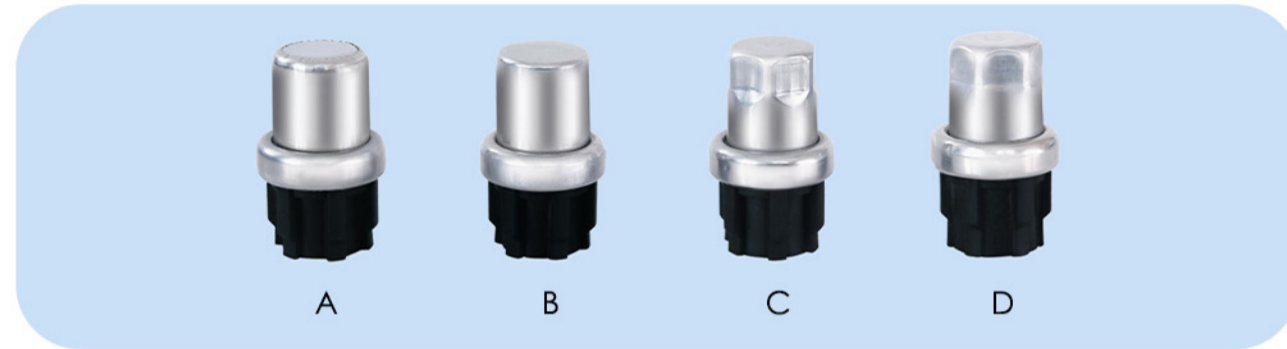


Steel Wrapped Adjustable Foot(30 Square Type / 32 Round Type)



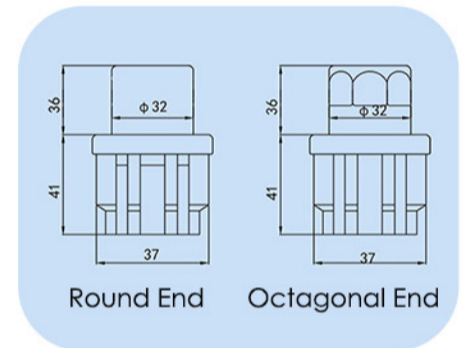
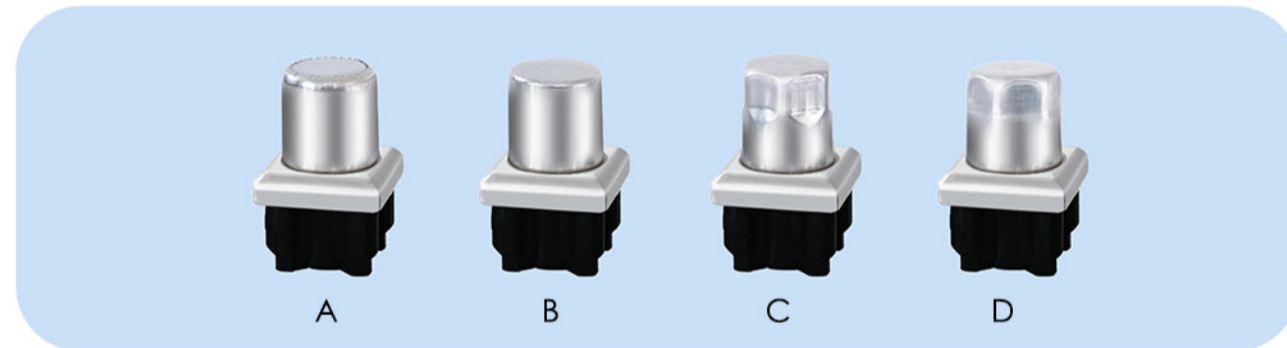
30 Square End 32 Round End

Steel Wrapped Adjustable Foot(38 Round Type)



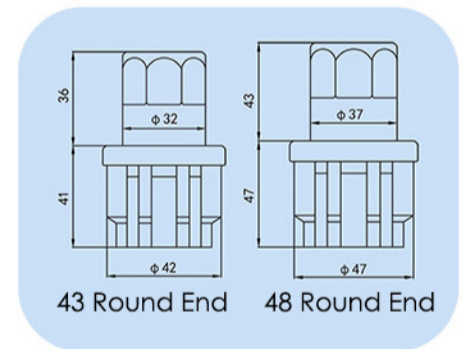
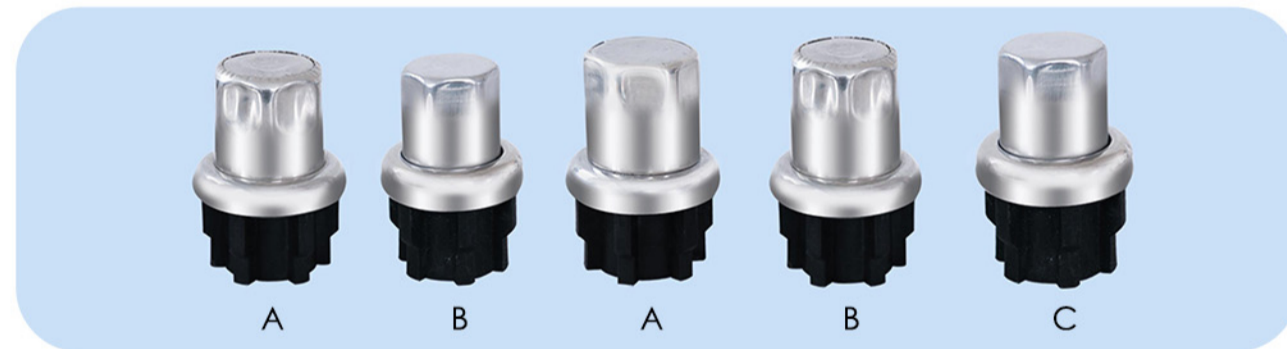
Round End Octagonal End

Steel Wrapped Adjustable Foot(38 Square Type)



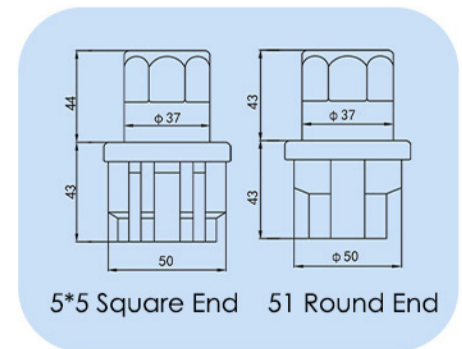
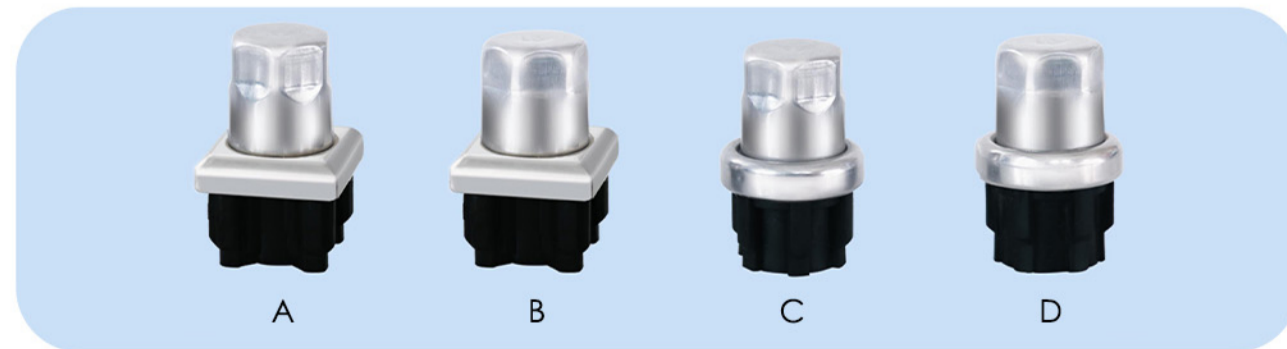
Round End Octagonal End

Steel Wrapped Adjustable Foot(43 Square Type / 48 Round Type)



43 Round End 48 Round End

Steel Wrapped Adjustable Foot(5*5 Square Type/51 Round Type)

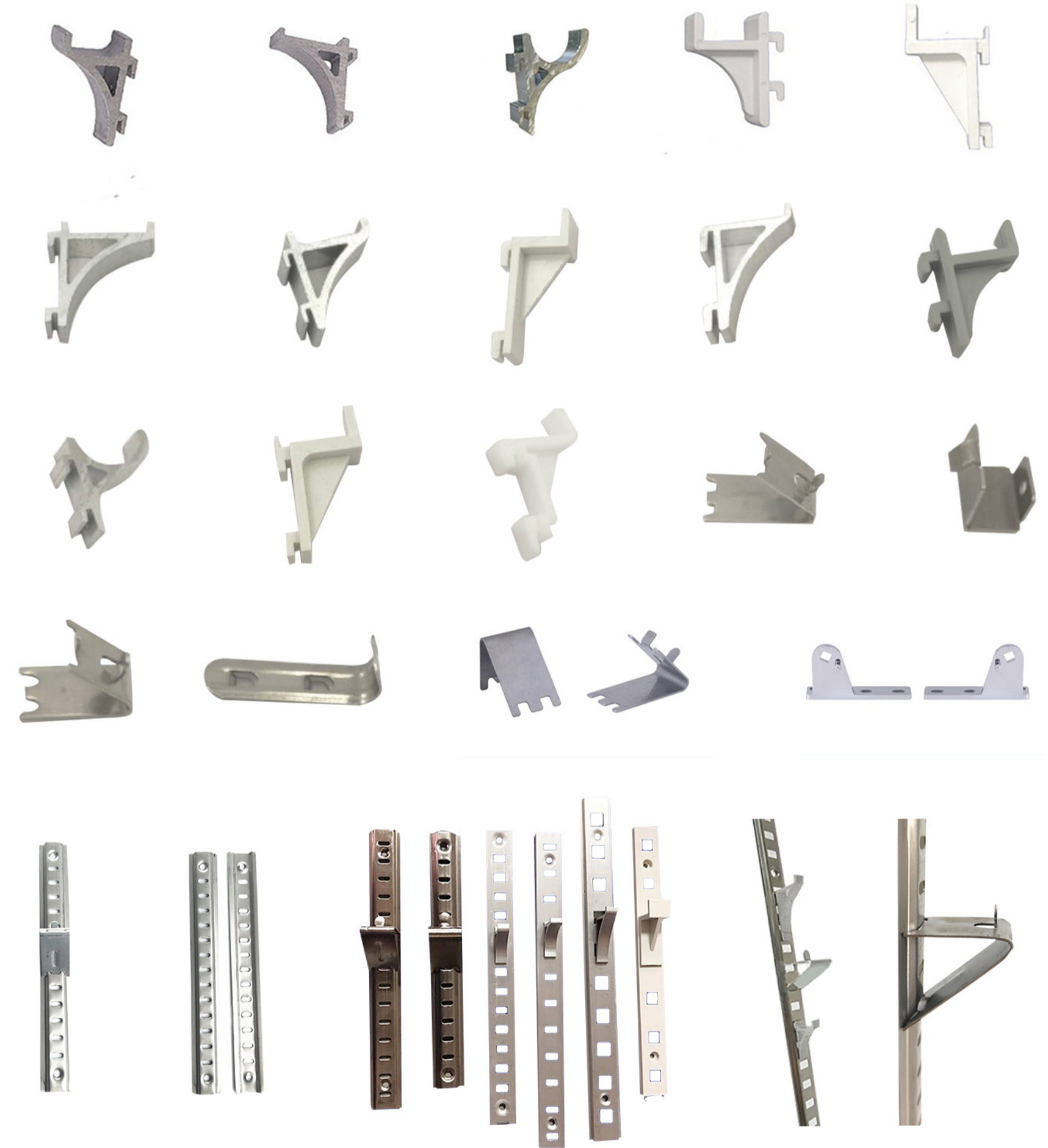


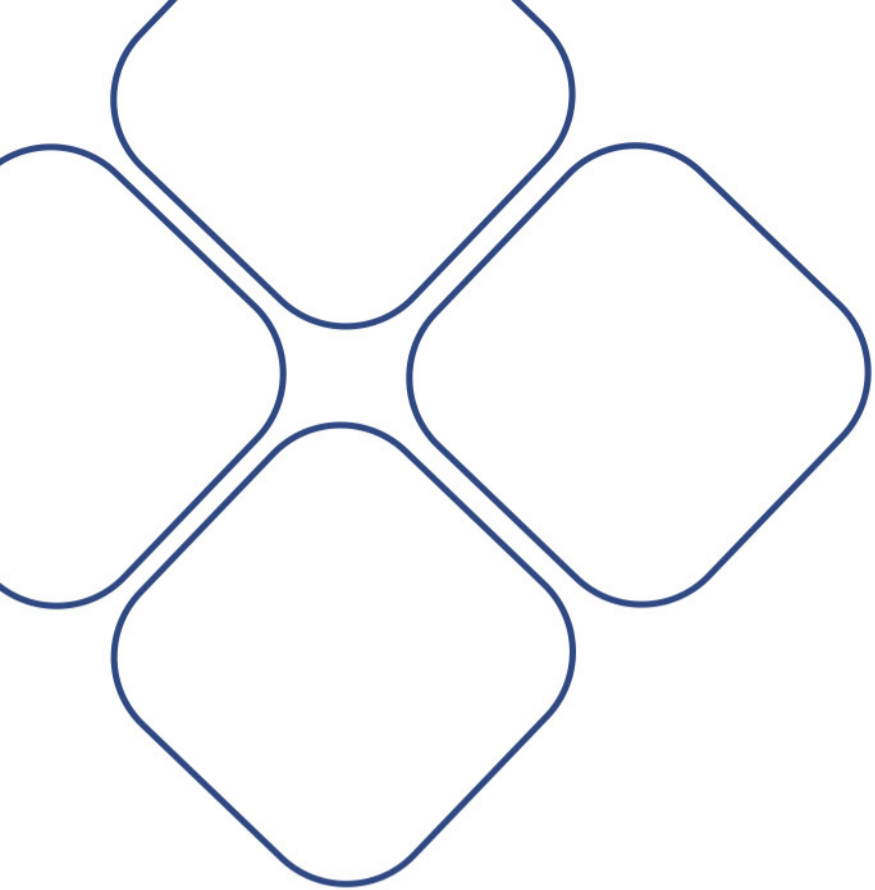
5*5 Square End 51 Round End

Lock & key / Door Hinge



Frame / Hinge





Total Solution of Commercial Refrigerators

Foshan Nenwell Import & Export Trading Co., Ltd.



Foshan Nenwell Import Export Trading Co., Ltd.

Address: Rm 601, Bld# 5a Tianan Mansion, Jianping Rd,
Guicheng, Nanhai, Foshan, Guangdong, China

Tel:0086-757-85856069

<http://www.nenwell.com/>